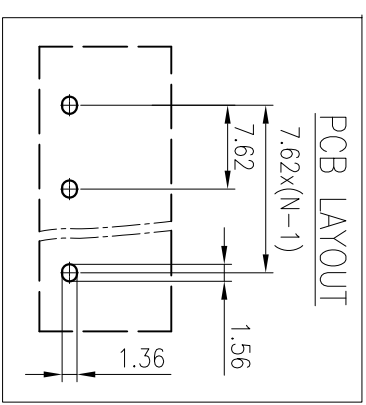
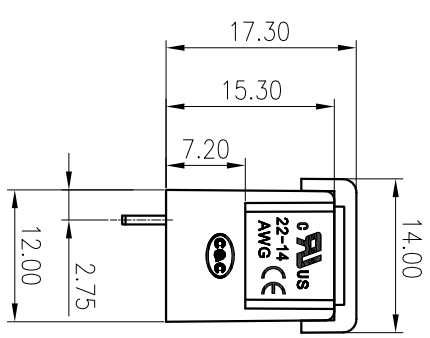
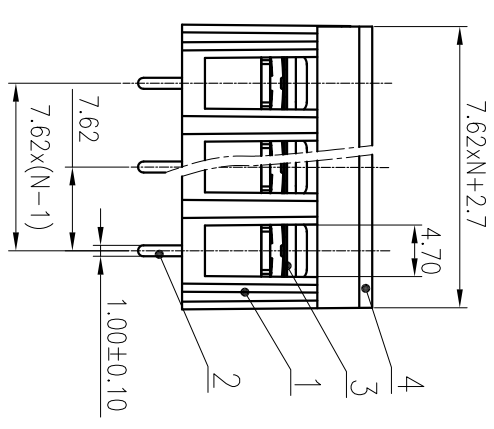
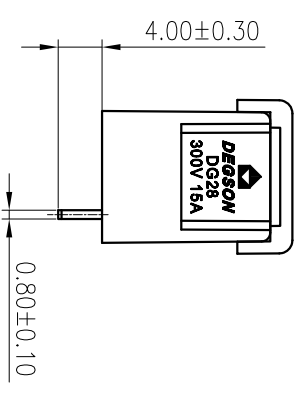
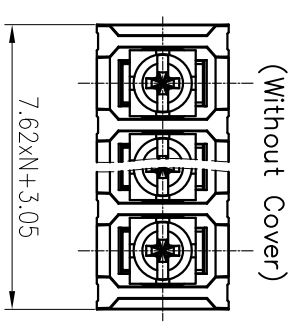


公差/General Tolerances(mm)	0	>3	>6	>10	>18	>30	>50	>80	>120	>180	>250	>315	>400	0.1/10
±0.12	±0.18	±0.22	±0.26	±0.31	±0.37	±0.57	±0.80	±0.93	±1.05	±1.15	±1.60	±2.20	±2.50	±Z
	~	~	~	~	~	~	~	~	~	~	~	~	~	~



4	Cover	PC	UL94V-2
3	Screw	Steel	M3/Ni Plated
2	Pin header	Copper alloy	M3/Sn Plated
1	Housing	PA66	UL94V-0
ITEM	NAME OF PART	MATERIAL	NOTES
UL 标准/UL Standard: B C D			
额定电压/电压/Rated Voltage(V)/Current(A) 300/15 150/15 300/10			
IEC 标准/IEC Standard: 过压类别/Overvoltage Category/污染等级 III/3 III/2 II/2			
级/ Pollution Degree			
额定电压/电压/Rated Voltage(V)/Current(A) 300/24 300/24 600/24			
额定脉冲电压/(KV)/Rate Impulse Voltage(KV) 5 5 5			
额定扭矩/Torque Tightening(N·m/Lb·in) M3, 0.5/4.43			
线径范围/(硬线和软线)/Wire Range(rigid and flexible)(AWG) 22~14			
间距/Pitch(mm)/线数范围/Poles 7.62/N=02~26P			
剥线长度/Stripping length(mm) 7			
使用温度范围/Operating temperature(°C) -40~+105			
符合RoHS环保要求/Conform to RoHS Yes			

MATERIAL: / SURFACE: /

MAT NO.: /

STATUS: /

APPD: /

CHKD: /

DRAFT: CenMZ 2020.06.02

DRAWING NO.: DG28S-C02

TYPE: CUSTOMER DRAWING

SCALE: 1.5:1 SHEET 1/1

NAME: **DEGSON** 宁波高松电子有限公司
NINGBO DEGSON ELECTRICAL CO., LTD

NAME: **DG28S-B-XXP-1Y-00A(H)**

REV	ECN	DESCRIPTION	DRAFT	DATE