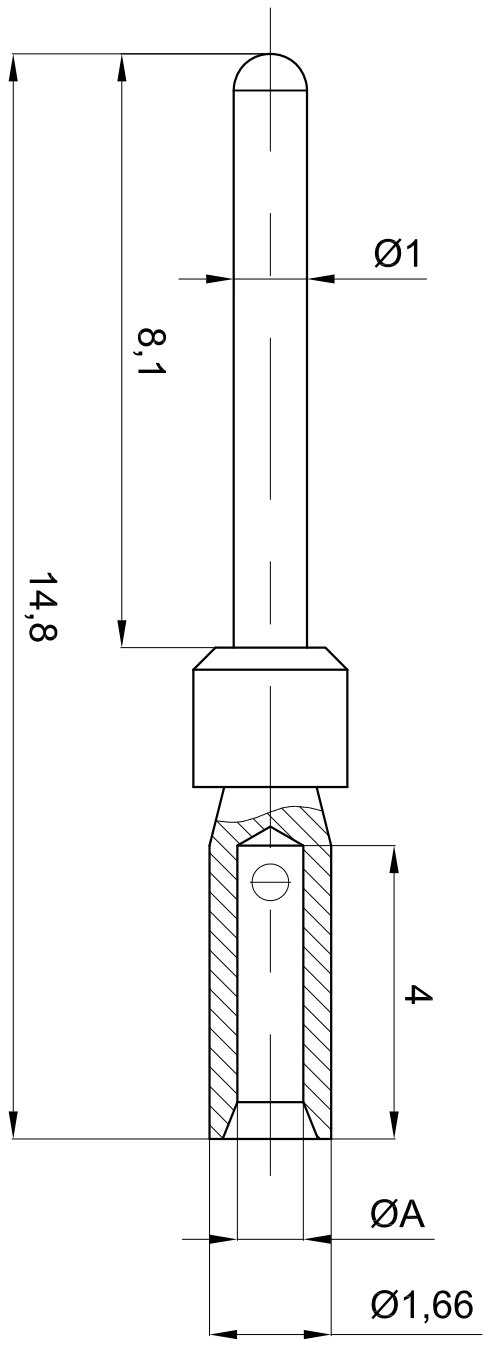


REVISION RECORD				
REV	ECN	DESCRIPTION	DRFT	DATE

Contacts, silver-plated	(ØA)	Wire gauge		Recommended stripping length
		(mm ²)	(AWG)	
5A-SM-0.25	0.64	0.09~0.25	28~24	5mm
5A-SM-0.33	0.90	0.25~0.33	24~22	5mm
◆ 5A-SM-0.52	1.12	0.33~0.52	22~20	5mm



Crimp contacts

01. Material :Copper alloy
02. Surface :Silver plated
03. Contact resistance : $\leq 3m\Omega$
04. Terminal :Crimp connection
05. Wire gauge : 0.09~0.52² (AWG 28~20)
06. Rohs Compliance

DETACHED LISTS			
PART NO.:	/	NAME:	DEGSON ® NINGBO DEGSON ELECTRICAL CO.,LTD 宁波高松电子有限公司
APPD:		TITLE:	CUSTOMER DRAWING
CHKD:		DRAWING NO.:	/
DRFT:	Mr. Yang 2016.08.08	DO NOT SCALE DRAWING	SCALE
THIRD ANGLE PROJECTION		10:1	1