

REVISION RECORD				
REV	ECN	DESCRIPTION	DRFT	DATE

Technical characteristics:

Specifications  
 DIN EN 60 664-1  
 DIN EN 61 984

Inserts

- 01. Number of contacts : 4/8+PE
- 02. Rated Current : 80A/16A
- 03. Rated Voltage : 400V/400V
- 04. Pollution degree : 3
- 05. Rated impulse voltage : 6kV<sup>10</sup>
- 06. Insulation resistance :  $\geq 10^9 \Omega$
- 07. Material: Polycarbonate
- 08. Rated voltage acc. to UL/CSA: 600V/600V
- 09. Limiting temperatures : -40°C ~ +125°C
- 10. Flammability acc. to UL94: V0
- 11. Mechanical working life (mating cycles) :  $\geq 500$

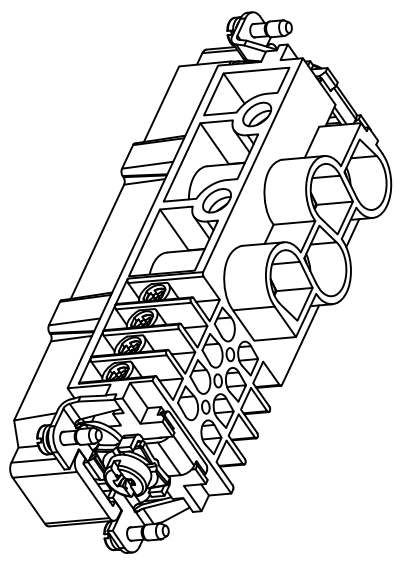
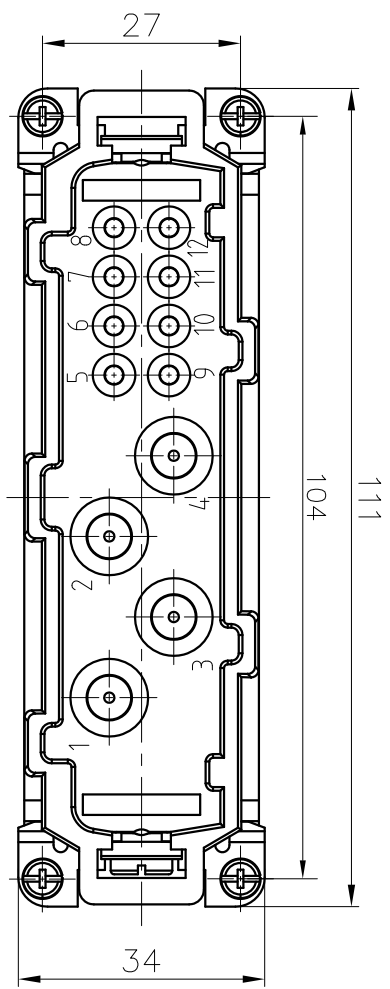
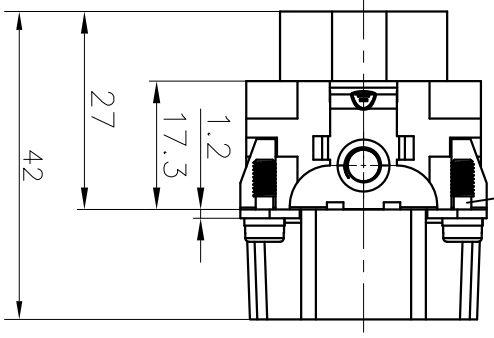
Contacts

- Power contacts
- 01. Material: Copper alloy
  - 02. Surface: hard-silver plated
  - 03. Contact resistance :  $\leq 0.3m\Omega$
  - 04. Terminal : Screw terminal
  - 05. Wire gauge : 1.5-16mm<sup>2</sup> (AWG16-6)
  - 06. Tightening torque :
 

mm <sup>2</sup>	1.5	2.5	4	6	10	16
Nm	1.2	2	3	3	3	3
  - 07. Stripping length : 14mm

Signal contacts

- 01. Material: Copper alloy
- 02. Surface: hard-silver plated
- 03. Contact resistance :  $\leq 1m\Omega$
- 04. Terminal : Screw terminal
- 05. Wire gauge : 1.0-2.5mm<sup>2</sup> (AWG18-14)
- 06. Tightening torque : 0.5Nm
- 07. Stripping length : 7.5mm
- 08. Rohns Compliance



DETACHED LISTS					
PART NO.:	/	<b>DEGSON</b> <sup>®</sup> 宁波高松电子有限公司 NINGBO DEGSON ELECTRICAL CO., LTD			
APPD:					
CHKD:					
NAME:	DK-4/8-M				
DRFT:	YANG	2016.07.28	TITLE: CUSTOMER DRAWING	REV	DO-1
THIRD ANGLE PROJECTION			DRAWING NO.: DK-4/8-M-E01	SHEET	1/1
			DO NOT SCALE DRAWING	SCALE	1:1