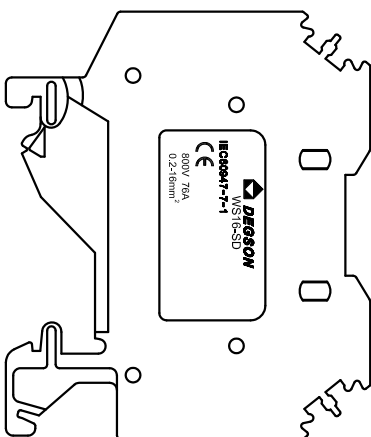
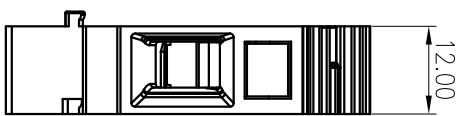
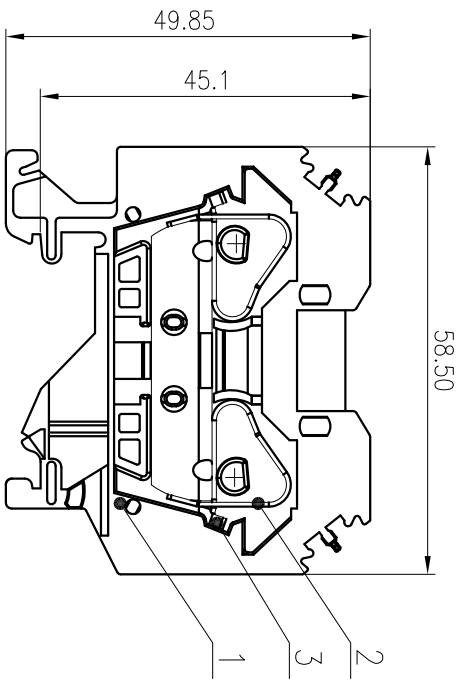
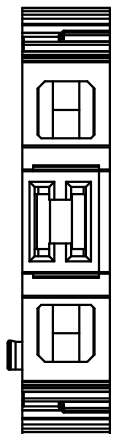


公差带/General tolerance(mm)		0.1/10
0	>3	~
3	>6	~
6	>10	~
10	>18	~
18	>30	~
30	>50	~
50	>80	~
80	>120	~
120	>180	~
180	>250	~
250	>315	~
315	>400	~
400	>500	~
500	>500	~
±0.12	±0.18	±0.22
±0.26	±0.31	±0.37
±0.57	±0.80	±0.93
±1.05	±1.15	±1.60
±2.20	±2.50	±2.50
		±2'



UL 标准/UL Standard:	B	C	D
额定电压/电流/Rated Voltage(V)/Current(A)	600/65	/	/
EC 标准/IEC Standard:			
过压类别/Overvoltage Category/污染等级	III/3	/	/
级/Pollution Degree			
额定电压/电流/Rated Voltage(V)/Current(A)	800/76	/	/
额定脉冲电压(KV)/Rate Impulse Voltage(KV)	8.0	/	/
线径范围(硬线和软线)/Wire Range(rigid and flexible)(mm²/AWG)	0.2~16/24~6		
间距/Pitch(mm)	12.0		
剥线长度/Stripping length(mm)	16~17		
使用温度范围/Operating temperature(°C)	-40~+105		
符合RoHS环保要求/Conform to RoHS	Yes		
标准颜色编号/Standard color number:			
PANTONE / RAL	/		

MATERIAL: / SURFACE: /

MAT NO.: /

STATUS: /

APPD: Li GL 2020.06.05

CHKD: Mao J 2020.06.05

DRAFT: ZMT 2011.03.08

DESSON® NINGBO DEGSON ELECTRICAL CO., LTD

NAME: WS16-SD-01P-1Y-00A(H)

DRAWING NO.: WS16-SD-C01

TYPE: CUSTOMER DRAWING

SCALE: 1:1 SHEET 1/1

ITEM	NAME OF PART	MATERIAL	NOTES
3	Current Carrier	Copper	Sn Plate
2	Spring	Stainlee Steel	
1	Housing	PA66	UL94V-0

REV	EON	DESCRIPTION	DRAFT	DATE
1				

D

C

B

A

D

C

B

A