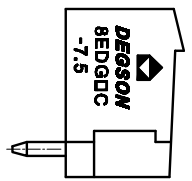
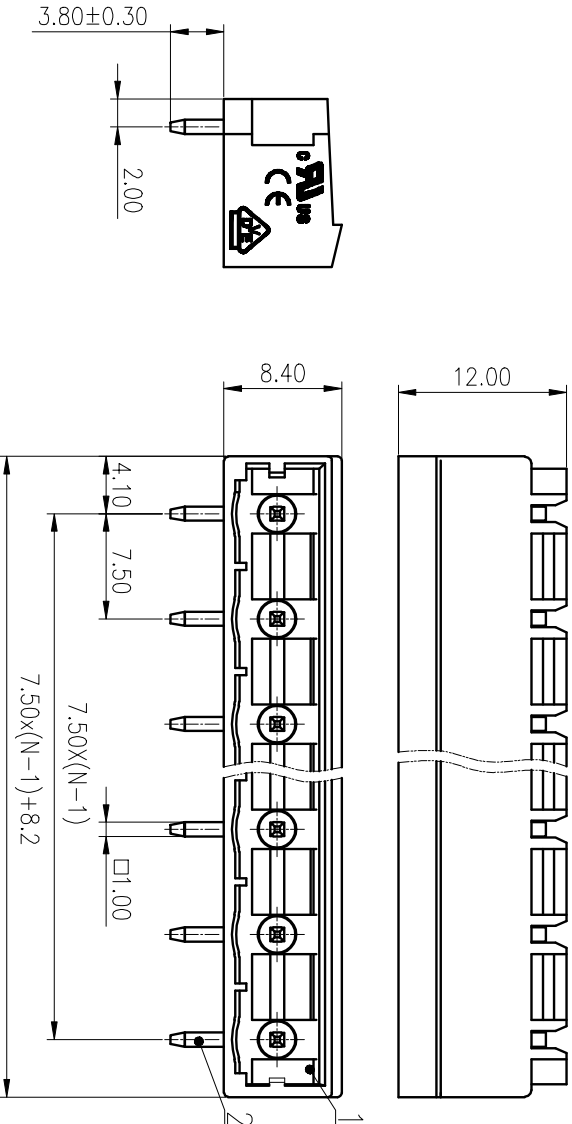
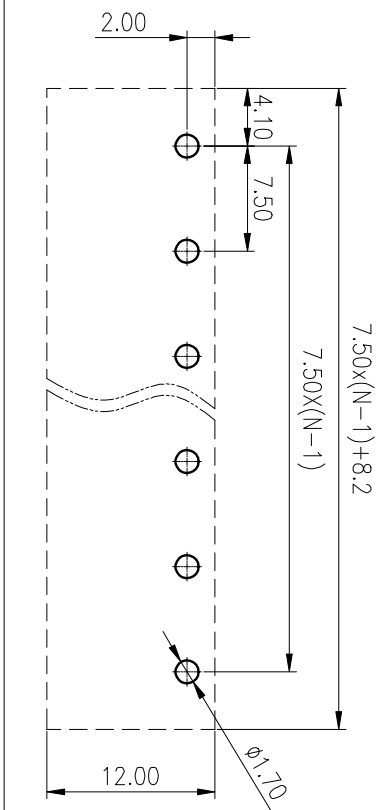


PCB LAYOUT



精度等级/General Tolerances(mm)												0.1/1.0		
0	>3	>6	>10	>18	>30	>50	>80	>120	>180	>280	>315	>400	±Z	
~	~	~	~	~	~	~	~	~	~	~	~	>500		
3	6	10	18	30	50	80	120	180	280	315	400	500		
±0.12		±0.18	±0.22	±0.26	±0.31	±0.37	±0.57	±0.80	±0.93	±1.05	±1.15	±1.60	±2.20	±2.50

2	Pin header	Copper	Sn Plated	
1	Housing	PA66	UL94V-0	
ITEM	NAME OF PART	MATERIAL	NOTES	
UL 标准/UL Standard: B C D				
额定电压/电压/Rated Voltage(V)/Current(A) 300/15/150/15/300/70				
IEC 标准/IEC Standard: 过压类别/Overvoltage Category/污染等级/Pollution Degree III/3 III/2 II/2				
额定电压/电压/Rated Voltage(V)/Current(A) 400/20 / /				
额定脉冲电压(KV)/Rate Impulse Voltage(KV) 4 / /				
使用温度范围/Operating Temperature(°C) 7.5/N=02~12P -40~+105				
符合RoHS标准/Conform to RoHS Yes				
标准颜色编号/Standard color number: PANTONE 7534U				

MATERIAL: / SURFACE: /  
 MAT NO.: /  
 STATUS: /  
 APPD: LanChH 2020.03.19  
 CHKD:GongYZh 2020.03.19  
 DRT: Y'ndK 2020.03.19  
 NAME: **DEGSON® NINGBO DEGSON ELECTRICAL CO.,LTD**  
**8EDGRC-7.5-XXP-11-01A(H)**  
 DRAWING NO.: 10001539  
 TYPE: CUSTOMER DRAWING  
 SCALE: 2:1

REV	ECN	DESCRIPTION	DRT	DATE	REV	TO

