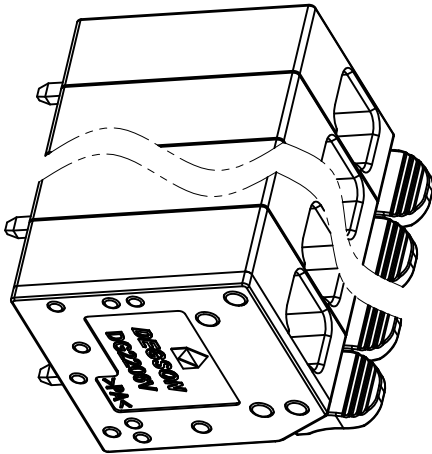
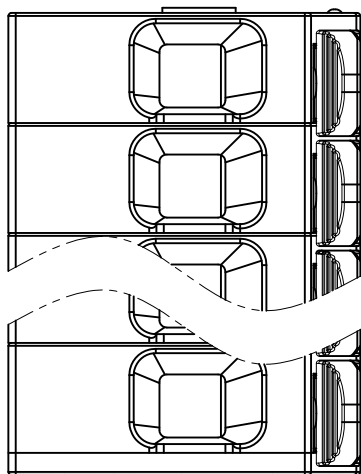
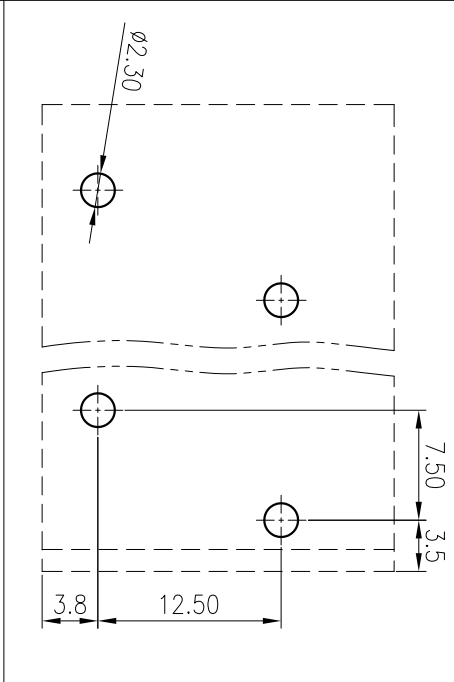
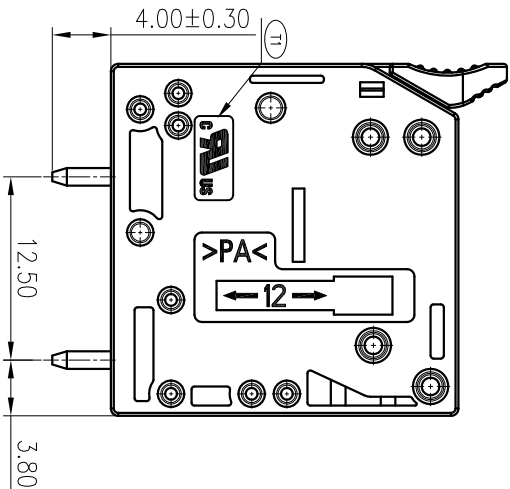


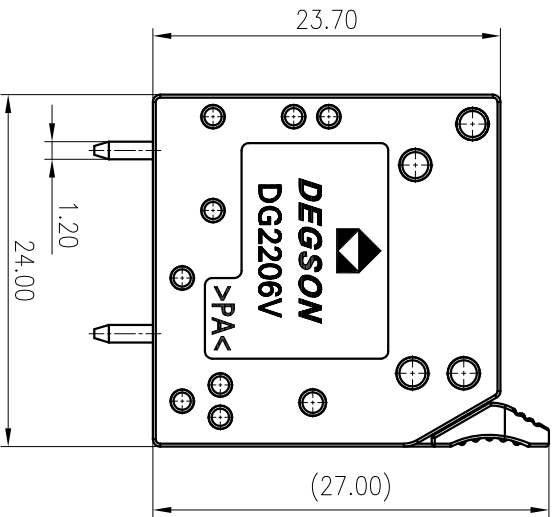
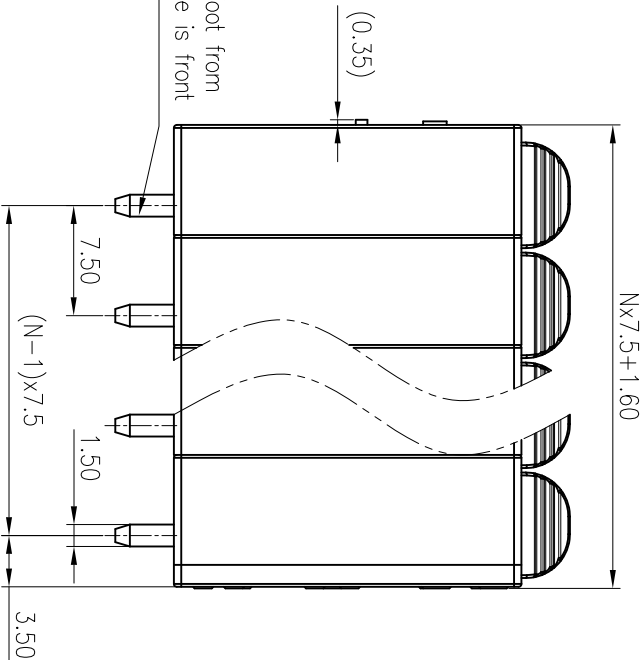
PCB LAYOUT



公差 (mm)		公差 (inch)	
0	>3	>6	>18
~	~	~	~
3	~	~	~
6	~	~	~
10	~	~	~
18	~	~	~
30	~	~	~
50	~	~	~
80	~	~	~
120	~	~	~
180	~	~	~
250	~	~	~
315	~	~	~
400	~	~	~
500	~	~	~
>500	~	~	~
±2	±2	±2	±2



The first foot from the left side is front



Transfer or duplication of this document as well as the utilization or communication of its contents are prohibited unless explicit authorization is granted. Violations will be liable for compensation. All rights reserved for patent, utility model or designs registrations. 除非给予明确授权，否则禁止转让、复制、利用、交流本文件的内容。侵犯者将承担赔偿责任。本公司保留对涉及发明、实用新型和外观专利的所有权利。

UL Standard:	B	C	D
额定电压/电流/Rated Voltage(V)/Current(A)	600/41	600/41	/
IEC Standard:			
额定电压/电流/Rated Voltage(V)/Current(A)	III/3	III/2	II/2
过压类别/Overvoltage Category/污染等级/Pollution Degree	III/3	III/2	II/2
额定电压/电流/Rated Voltage(V)/Current(A)	800/41	1000/41	1000/41
额定脉冲电压/Rate Impulse Voltage(KV)	8	8	8
额定范围(硬线和软线)/Wire Range(rigid and flexible)(mm²/ AWG)	24~8/0.2~6,10(sol)		
间距/Pitch(mm)/线数范围/Poles	7.5/N=02~12P		
剥线长度/Stripping length(mm)	11~13		
使用温度范围/Operating temperature(°C)	-40~+105		
符合RoHS环保要求/Conform to RoHS	Yes		

REV	ECN	DESCRIPTION	DRFT	DATE
①	20210085	1xAdd the UL lettering	Chen Zh	2021.05.10

MATERIAL:	SURFACE: /	
MAT NO.:	/	
STATUS:	/	
Appd: Lon	ChH	2021.05.10
CHKD: Yu	JZh	2021.05.10
DRFT: Liu	ZhH	2020.01.02
NAME:	DG2206V-7.5-DA-XXP-1Y-00A(H)	
DRAWING NO.:	10001167	
TYPE:	CUSTOMER DRAWING	
SCALE:	2:1	
REV	T1	
SHEET	1/1	