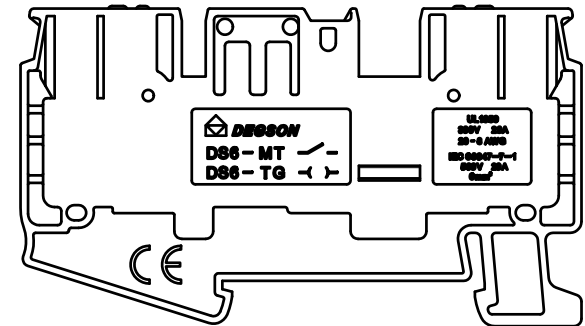
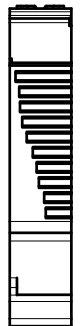
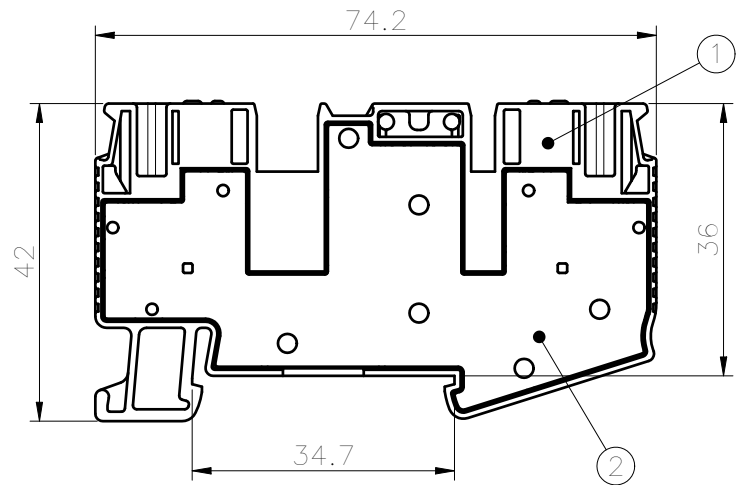
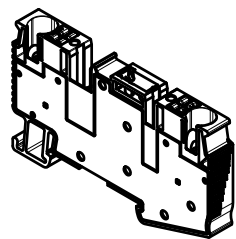
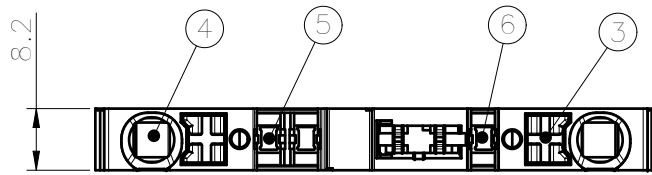


Transfer or duplication of this document as well as the utilization or communication of its contents are prohibited unless written authorization is granted. All rights reserved for patent, utility model or designs registrations. 非经书面明确授权, 否则禁止转让、复制、利用、交还本文件内容。侵犯者将负法律责任。本公司保留对涉及发明、实用新型和外观设计的所有权利。

未注公差/General tolerances(mm)													
0	>3	>6	>10	>18	>30	>50	>80	>120	>180	>250	>315	>400	0.1/10 ±2'
~3	~6	~10	~18	~30	~50	~80	~120	~180	~250	~315	~400	~500	
±0.12	±0.18	±0.22	±0.26	±0.31	±0.37	±0.57	±0.80	±0.93	±1.05	±1.15	±1.60	±2.20	±2.50

UL 标准/UL Standard:	B	C	D
额定电压/电流/Rated Voltage(V)/Current(A)	300V/20	300/20	/
IEC 标准/IEC Standard:			
过压类别/Overvoltage Category/污染等级/Pollution Degree	III/3	III/2	II/2
额定电压/电流/Rated Voltage(V)/Current(A)	500/20	/	/
额定脉冲电压(KV)/Rate Impulse Voltage(KV)	6	/	/
线径范围/硬线和软线/Wire Range(rigid and flexible)(AWG/mm <sup>2</sup> )	20~8 / 0.5~6 (10Sol)		
剥线长度/Stripping length(mm)	10~12		
使用温度范围/Operating temperature(°C)	-40~+105		
符合RoHS 环保要求/Conform to RoHS	Yes		



ITEM	NAME OF PART	MATERIAL	NOTES
6	short current carrier	Copper alloy	Sn Plated
5	Long current carrier	Copper alloy	Sn Plated
4	Spring	Stainless steel	/
3	Button	PA66+GF%	UL94V-0
2	Cover	PA66	UL94V-0
1	Housing	PA66	UL94V-0

			MATERIAL: /		SURFACE/COLOR: /	
			MAT NO./REV: /		MAT STATUS: /	
APPD: Li GL	2022.04.02	NAME				
CHKD: Ma EK	2022.04.02	DS6-TG-01P-1Y-00A(H)				
DRFT: Zhao QX	2022.04.02	DRAWING NO. /	TYPE	DRAWING STATUS	SCALE	SHEET
A4		CUSTOMER DRAWING		/	2:1	1/1

REV	ECN	DESCRIPTION	DRFT	DATE
00	/	/	Zhao QX	2022.04.02