

REVISION RECORD				
REV	ECN	DESCRIPTION	DRFT	DATE

Technical characteristics:

Specifications  
 DIN EN 60 664  
 DIN EN 61 984

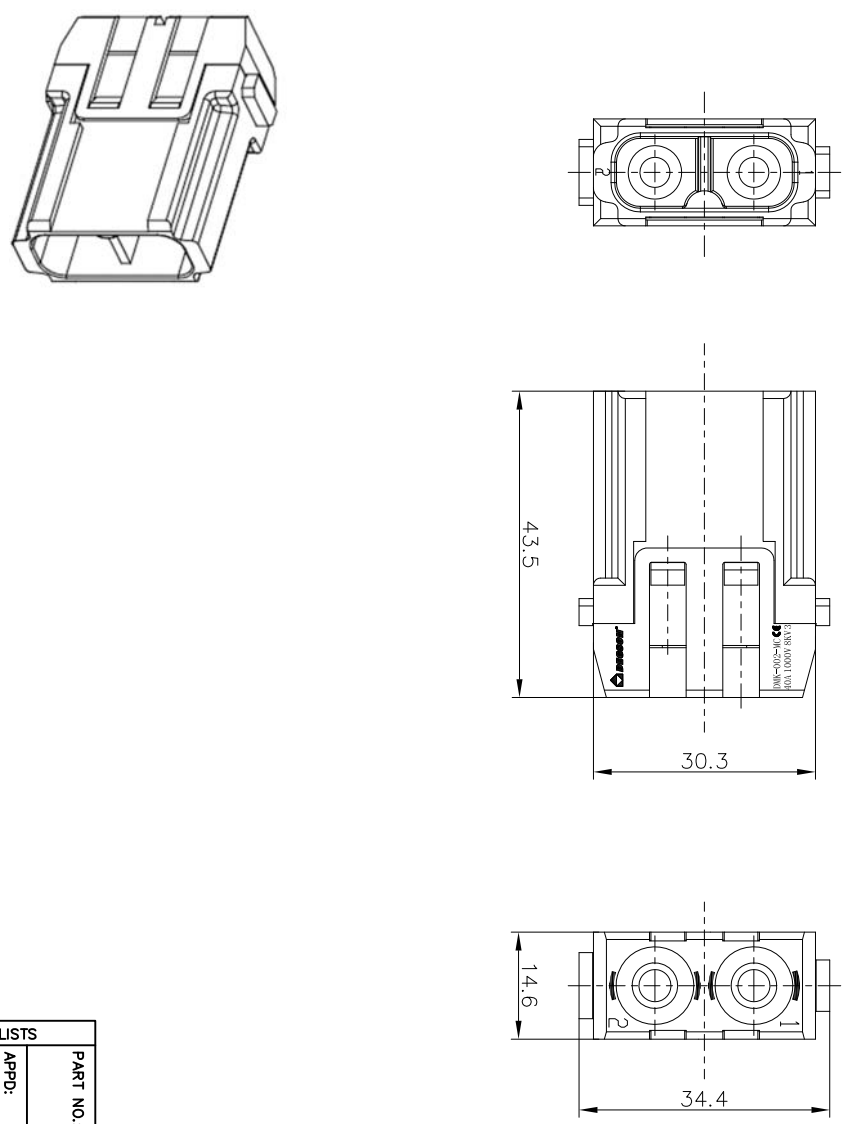
Inserts

- 01. Number of contacts : 2
- 02. Rated Current : 40A
- 03. Rated Voltage : 1000V
- 04. Pollution degree : 3
- 05. Rated impulse voltage : 8kV<sup>10</sup>
- 06. Insulation resistance :  $\geq 10\Omega$
- 07. Material : Polycarbonate
- 08. Limiting temperatures : -40°C ~ +125°C
- 09. Flammability acc. to UL94: V0
- 10. Mechanical working life (mating cycles) :  $\geq 500$

Contacts

- 01. Material: Copper alloy
- 02. Surface: hard-silver plated
- 03. Contact resistance :  $\leq 1m\Omega$
- 04. Terminal : Crimp terminal
- 05. Wire gauge : 1.5-10mm<sup>2</sup> (AWG 16-8)
- 06. Stripping length : 9-15mm
- 07. Rohs Compliance

Note: Crimp contact pins should order separately



DETACHED LISTS			
PART NO.:	/	NINGBO DEGSON ELECTRICAL CO., LTD	
APPD:		DMK-002-MC	
CHKD:		NINGBO DEGSON ELECTRICAL CO., LTD	
DRFT:	YANG	TITLE: CUSTOMER DRAWING	REV
	2016.08.22	DRAWING NO.:	DO-1
		THIRD ANGLE PROJECTION	SHEET
			1/1
		DO NOT SCALE DRAWING	SCALE
			1:1

A 8 7 6 5 4 3 2 1