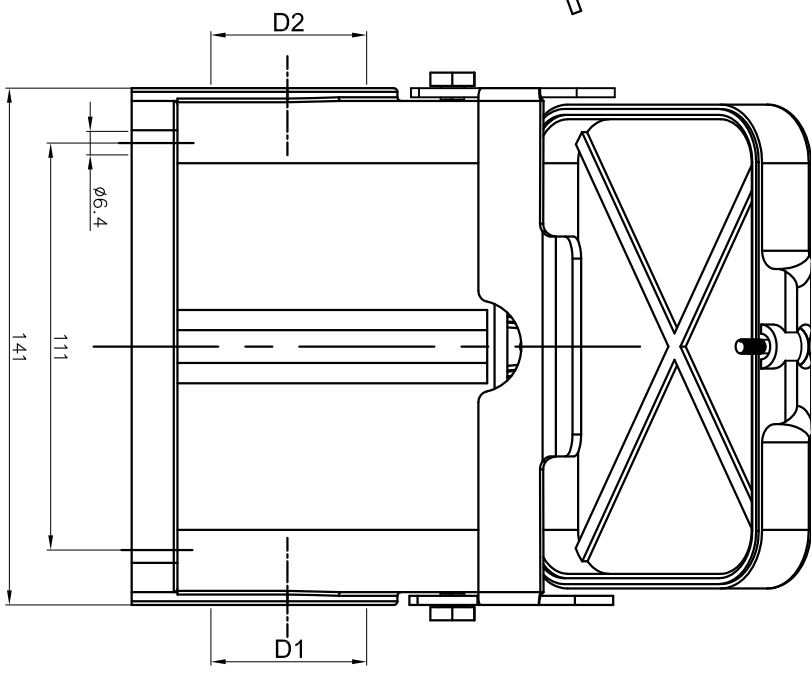
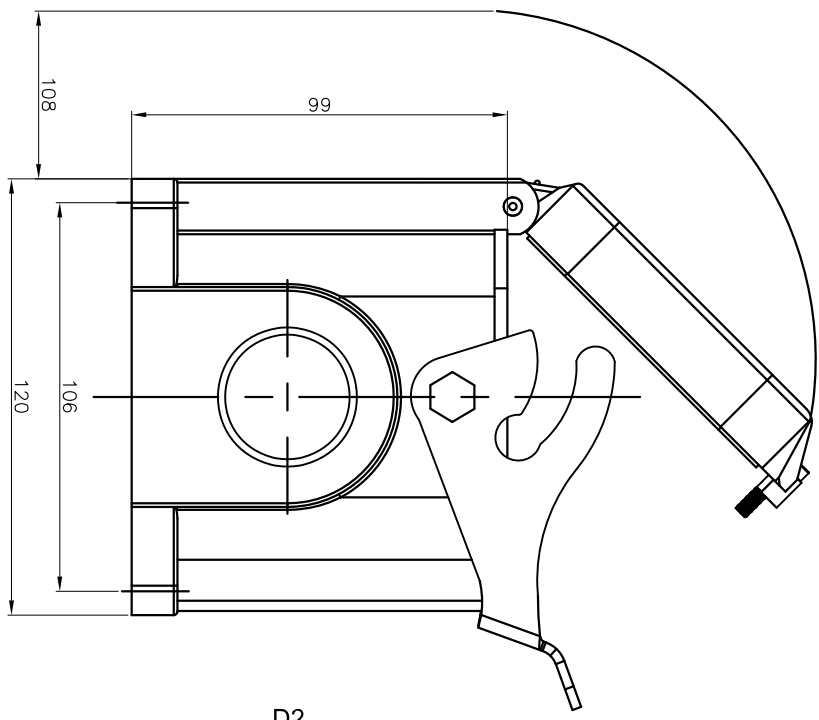
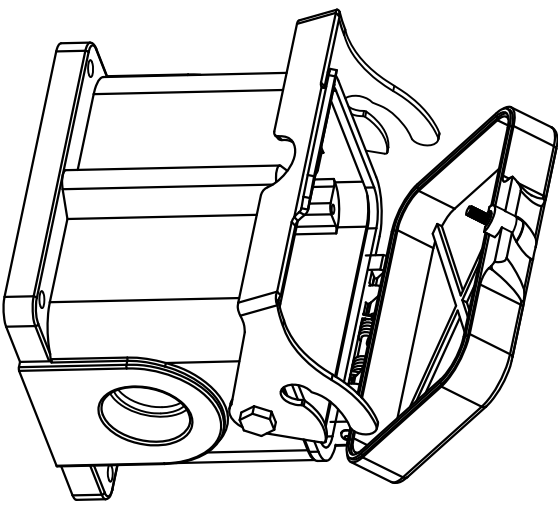


REVISION RECORD				
REV	ECN	DESCRIPTION	DRFT	DATE

TYPE	Thread		Selection
	D1	D2	
D48B-SF-1L-CV-M32	M32	—	
D48B-SF-1L-CV-2M32	M32	M32	
D48B-SF-1L-CV-M40	M40	—	
D48B-SF-1L-CV-2M40	M40	M40	
D48B-SF-1L-CV-PG29	PG29	—	
D48B-SF-1L-CV-2PG29	PG29	PG29	
D48B-SF-1L-CV-PG36	PG36	—	
D48B-SF-1L-CV-2PG36	PG36	PG36	



Housing Feature

- 01. Material: aluminium die-cast
- 02. Surface: Powder-coated
- 03. Color: grey (RAL 7037)
- 04. Material: Stainless steel (Lever)
- 05. Sealing: NBR
- 06. Protection Covers: Plastic
- 07. Limiting temperatures: $-40^{\circ}\text{C} \sim +125^{\circ}\text{C}$
- 08. Flammability acc to UL94: V0
- 09. Degree of protection acc. to EN60529 for coupled connector: IP65
- 10. Rohs compliance

DETACHED LISTS			
PART NO.:	/	NAME:	DEGSON NINGBO DEGSON ELECTRICAL CO., LTD 宁波高松电子有限公司
APPR.:		TITLE:	CUSTOMER DRAWING
CHKD.:		DRAWING NO.:	
DRFT.:	Mr. yong2016.07.28	REV	DO-1
		SHEET	1/1
		SCALE	1:1.5



THIRD ANGLE PROJECTION

DO NOT SCALE DRAWING

A 8 7 6 5 4 3 2 1