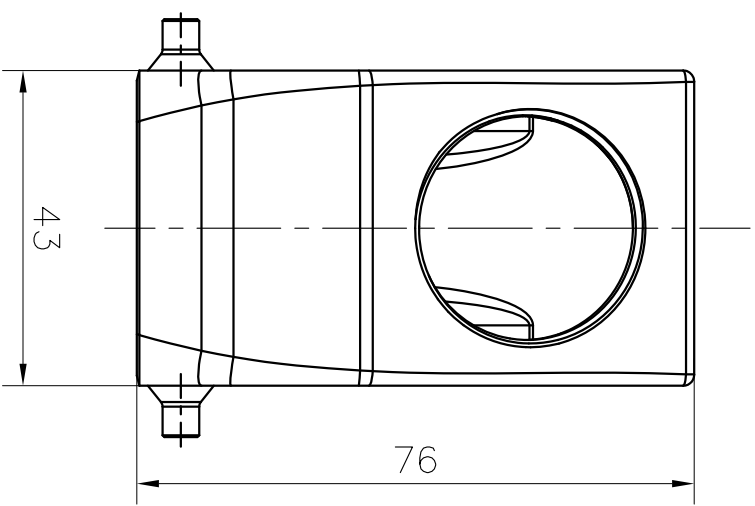
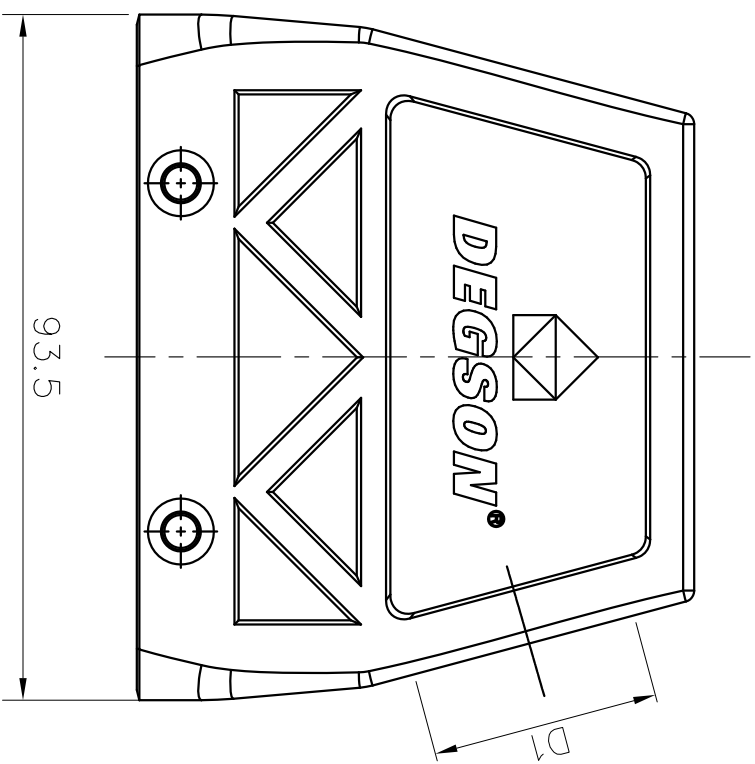
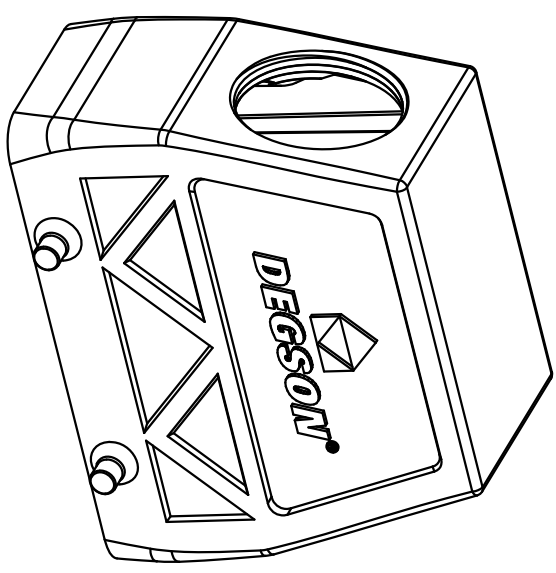


TYPE	Thread(D1)	Selection
D16B-SEH-4g-M32	M32	
D16B-SEH-4g-M40	M40	
D16B-SEH-4g-PG21	PG21	
D16B-SEH-4g-PG29	PG29	

REVISION RECORD				
REV	ECN	DESCRIPTION	DRFT	DATE



Hoods Feature

1. Material: aluminium die-cast
2. Surface: Powder-coated
3. Color: grey (RAL 7037)
4. Limiting temperatures: -40°C ~ +125°C
5. Flammability acc to UL94: V0
6. Degree of protection acc. to EN60529 for coupled connector: IP65
7. Rohs compliance

DETACHED LISTS			
PART NO.:	/	NAME:	DEGSSON NINGBO DEGSSON ELECTRICAL CO., LTD 宁波高松电子有限公司
APPR.:		TITLE:	D16B-SEH-4g-M/PG CUSTOMER DRAWING
CHKD.:		DRAWING NO.:	
DRFT:	Mr. yding 2017/06/28	REV	DO-1
THIRD ANGLE PROJECTION		SHEET	1/1
		SCALE	1:1

A 8 7 6 5 4 3 2 1