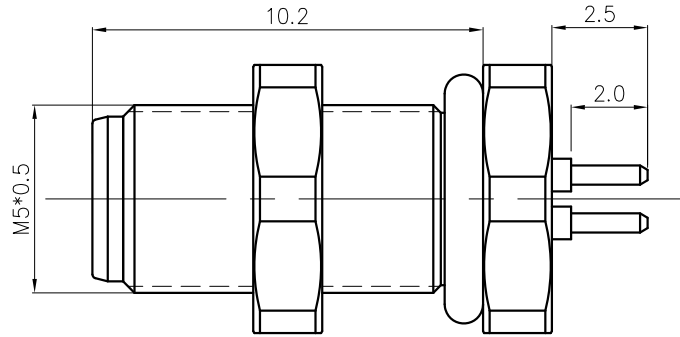
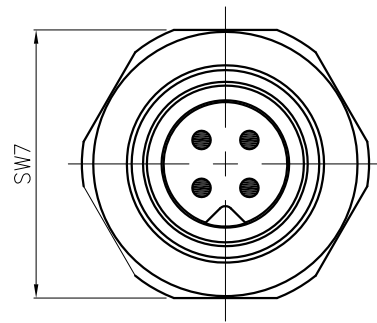


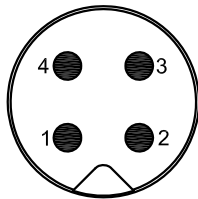
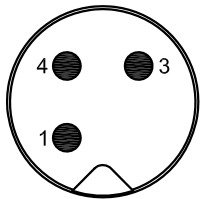
REVISION RECORD

REV	ECN	DESCRIPTION	DRFT	DATE



3pin A Coding

4pin A Coding



Pin Assignment Front View

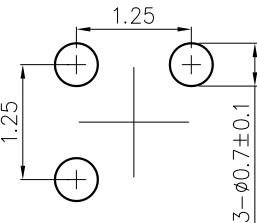
Pin Assignment Front View

SP-M5A-XXP-MM-SF7001-00A(H)

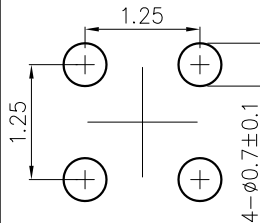
Pin number: 03,04

NOTES:

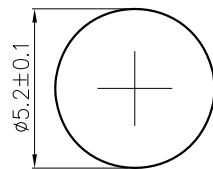
1. Rated voltage/current : 60V / 1A
2. Withstanding voltage : 800V
3. Levels of protection: IP67
4. Wire connection mode: soldering(PCB)
5. Operating temperature: -40°C~+85°C
6. For Panel Thickness Range : 2.0~4.0mm
7. RoHS Compliance
8. Tolerance :
  - .X                    ±0.25mm
  - .XX                  ±0.1mm
  - Angles              ±1°



PCB layout



PCB layout



Panel cut

DETACHED LISTS	PART NO.: SPM5AXPMMSF700100AH		宁波高松电子有限公司 NINGBO DEGSON ELECTRICAL CO., LTD	
	APPD:	NAME: SP-M5A-XXP-MM-SF7001-00A(H)		
	CHKD:	TITLE: CUSTOMER DRAWING		
	DRFT: SQ 2019.05.11	REV: D0-1	SHEET: 1/1	
 THIRD ANGLE PROJECTION		DRAWING NO.: XXXXXXX-XX-CXX	SCALE: 1:1	DO NOT SCALE DRAWING