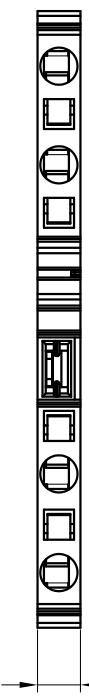
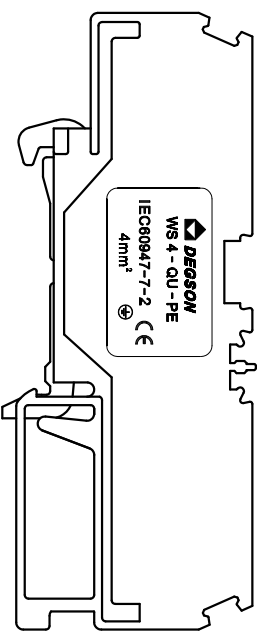
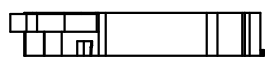
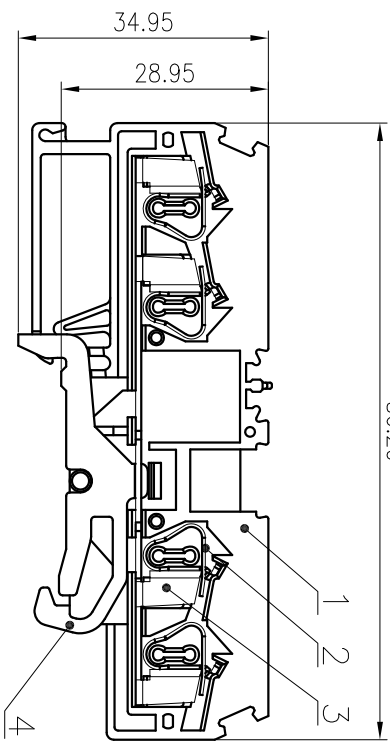


| 未注公差/General tolerances(mm) | | | | | | | | | | | | | | |
|-----------------------------|-------|-------|-------|-------|-------|-------|-------|-------|-------|-------|-------|-------|---------|----|
| 0 | >3 | >5 | >10 | >18 | >30 | >50 | >80 | >120 | >180 | >250 | >315 | >400 | 0.1/1.0 | |
| 3 | ~ | ~ | ~ | ~ | ~ | ~ | ~ | ~ | ~ | ~ | ~ | ~ | >500 | |
| 6 | 10 | 18 | 30 | 50 | 80 | 120 | 180 | 250 | 315 | 400 | 500 | ~ | ~ | |
| ±0.12 | ±0.18 | ±0.22 | ±0.26 | ±0.31 | ±0.37 | ±0.57 | ±0.80 | ±0.93 | ±1.05 | ±1.15 | ±1.60 | ±2.20 | ±2.50 | ±Z |



86.20



| | | | |
|---|-----------------|-----------------|-----------|
| 4 | Grounding | Copper alloy | Sn Plated |
| 3 | Current carrier | Copper | Sn Plated |
| 2 | Spring | Stainless steel | |
| 1 | Housing | PA66 | UL94V-0 |
| ITEM | NAME OF PART | MATERIAL | NOTES |
| UL 标准/UL Standard: B C D | | | |
| 额定电压/电流/Rated Voltage(V)/Current(A) / / / / | | | |
| IEC 标准/IEC Standard: / / / / | | | |
| 过压类别/Overvoltage Category/污染等级/Pollution Degree III/3 / / / | | | |
| 额定电压/电流/Rated Voltage(V)/Current(A) / / / / | | | |
| 额定脉冲电压(KV)/Rate Impulse Voltage(KV) 8.0 / / / | | | |
| 柔软范围(硬线和软线)/Wire Range(rigid and flexible)(mm²/AWG) 0.2~4/28~12 | | | |
| 间距/Pitch(mm) 6.0 | | | |
| 剥线长度/Stripping length(mm) 10-12 | | | |
| 使用温度范围/Operating temperature(°C) -40~+105 | | | |
| 符合RoHS环保要求/Conform to RoHS Yes | | | |
| 标准颜色编号/Standard color number: / | | | |
| PANTONE / RAL / | | | |

MATERIAL: / SURFACE: /

MAT NO.: /
 STATUS: /
 APPD: LJ GL 2020.04.04
 CHKD: Moo J 2020.04.04
 DRT:Wang LX 2020.04.04

NAME: **DEGSON** 宁波高松电子有限公司
 NINGBO DEGSON ELECTRICAL CO., LTD

DRAWING NO.: WS4-QU-PE-C01
 TYPE: CUSTOMER DRAWING
 SCALE: 1:1
 SHEET 1/1

| REV | ECN | DESCRIPTION | DRT | DATE |
|-----|-----|-------------|-----|------|
| 1 | | | | |
| 2 | | | | |
| 3 | | | | |
| 4 | | | | |

SIZE: A4
 (mm)
 (inch)