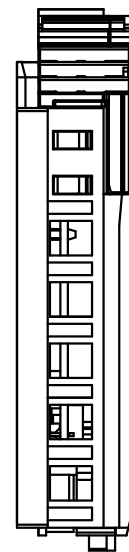
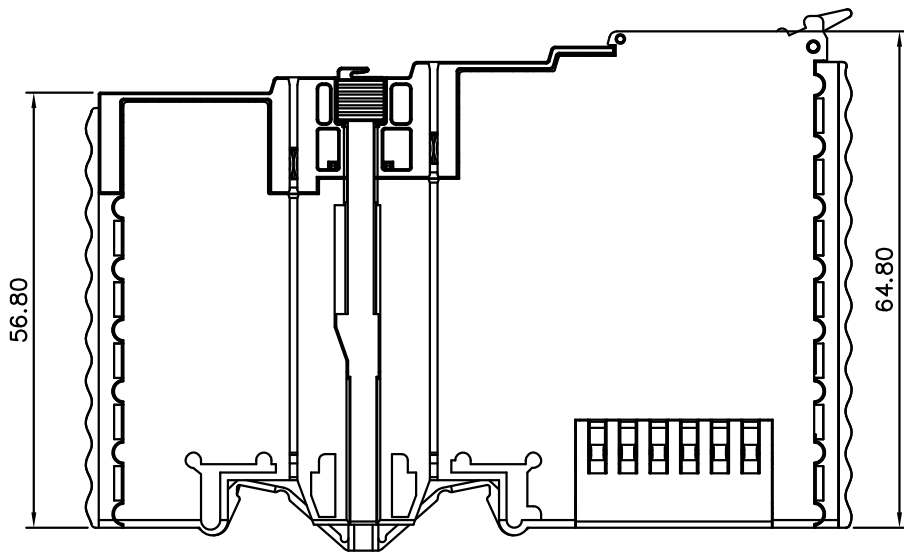
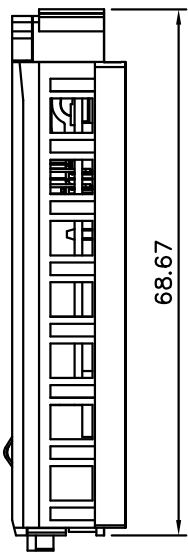
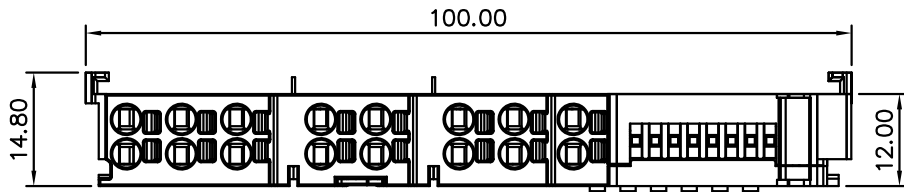



REVISION RECORD				
REV	ECN	DESCRIPTION	DRFT	DATE



Technical parameter	
Overvoltage category	II
Rated voltage	150V
Rated current	10A
Wire range	28~16AWG/0.2~1.5mm <sup>2</sup>
Stripping length	8~9mm

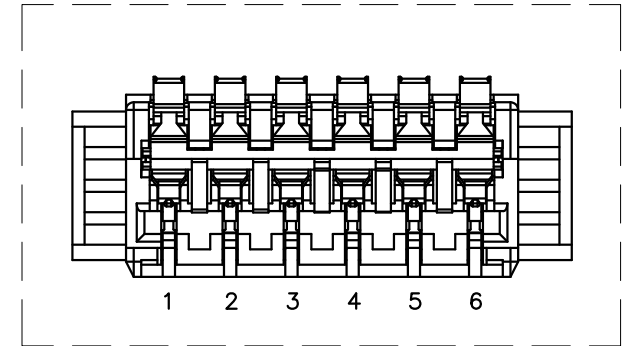
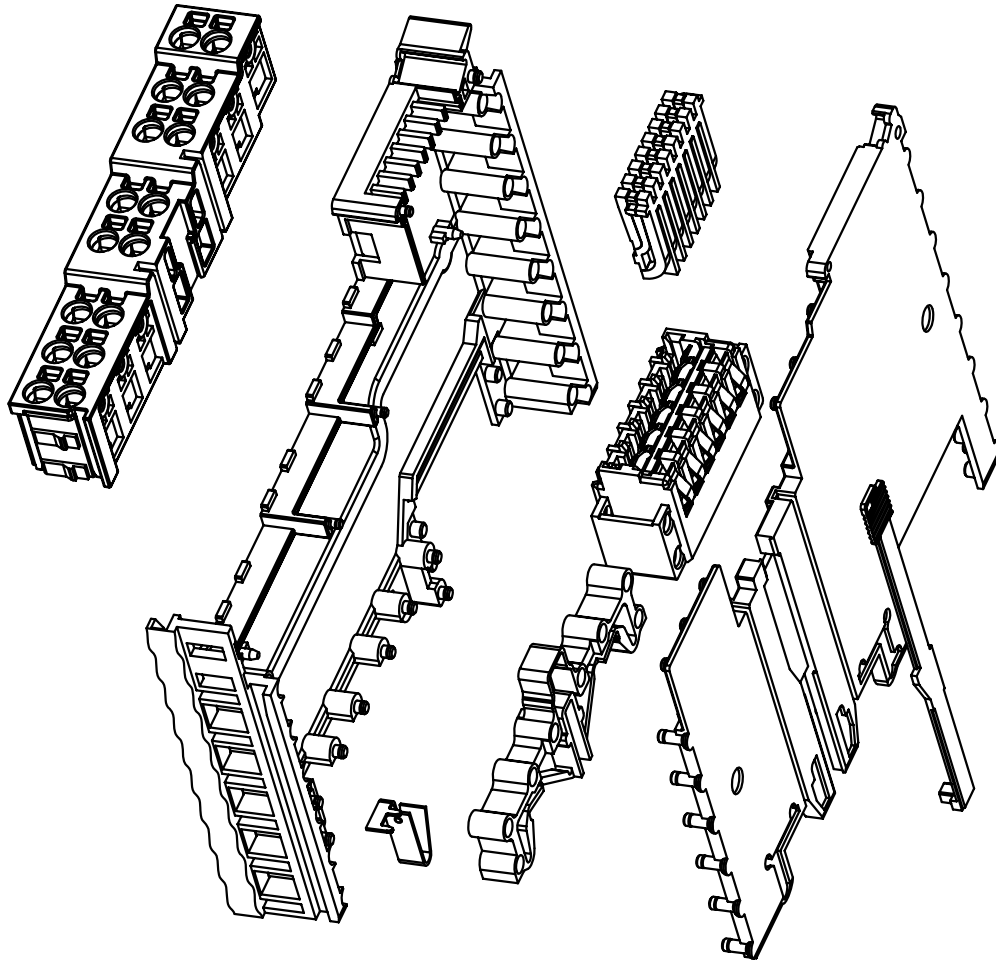
NOTES:  
 1.RoHS Compliance  
 2.Undimensioned tolerances:

Pitch range in mm		Nominal dimension range in mm					0.1/10
TO 6	Over 6 TO 10	Over 10 TO 24	TO 30	Over 30 TO 60	Over 60 TO 100	Over 100 TO 150	±2'
±0.15	±0.20	±0.30	±0.30	±0.50	±0.70	±1.00	±1.30

PART NO.:	 宁波高松电子有限公司 NINGBO DEGSON ELECTRICAL CO., LTD		
	APPD:	NAME: <b>DF750-300-11-20XXAH</b>	
CHKD:	DRFT: <b>KY 2020.04.20</b>		TITLE: <b>CUSTOMER DRAWING</b>
THIRD ANGLE PROJECTION		DRAWING NO.: /	REV: <b>D0-1</b>
		MM (INCH)	SHEET: <b>1/2</b>
		DO NOT SCALE DRAWING	SCALE: <b>1:1</b>


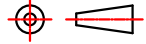
REVISION RECORD

REV	ECN	DESCRIPTION	DRFT	DATE



DF750-300-11-20XXA(H)

- 00: breakover1、2, disconnect3、4、5、6
- 01: disconnect1、2、3、4、5、6
- 02: breakover1、2、5、6, disconnect3、4
- 03: breakove1、2、3、4、5、6
- 05: breakover1、6, disconnect2、3、4、5
- 07: breakover1、2、4、5、6, disconnect3

DETACHED LISTS	PART NO.:	 宁波高松电子有限公司 NINGBO DEGSON ELECTRICAL CO., LTD		
	APPD:	NAME: <b>DF750-300-11-20XXAH</b>		
	CHKD:	TITLE: <b>CUSTOMER DRAWING</b>		
	DRFT: <b>KY 2020.04.20</b>	REV: <b>D0-1</b>	SHEET: <b>2/2</b>	SCALE: <b>1:1</b>
 THIRD ANGLE PROJECTION		DRAWING NO.: <b>/</b>	DO NOT SCALE DRAWING	
		MM (INCH)		