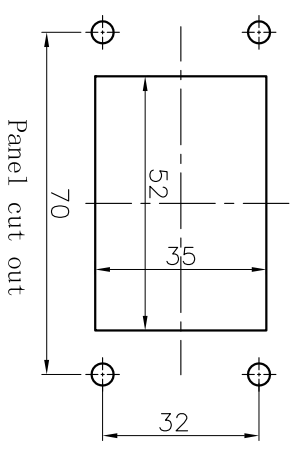
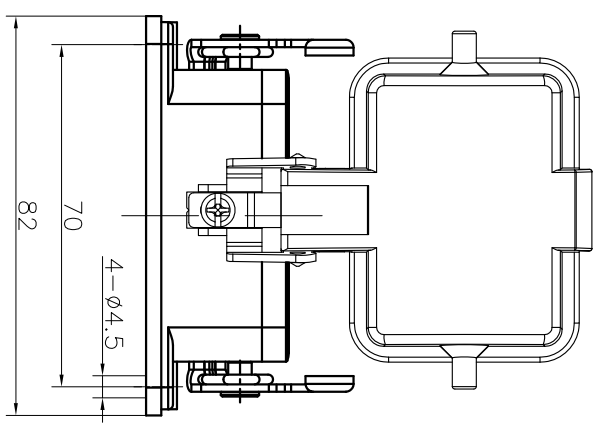
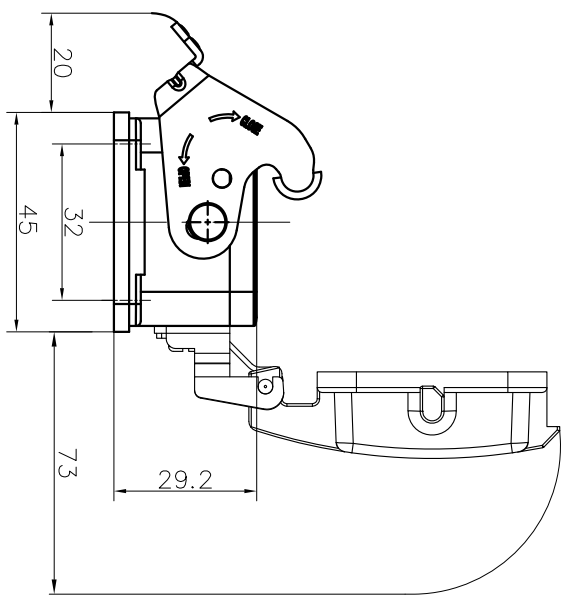
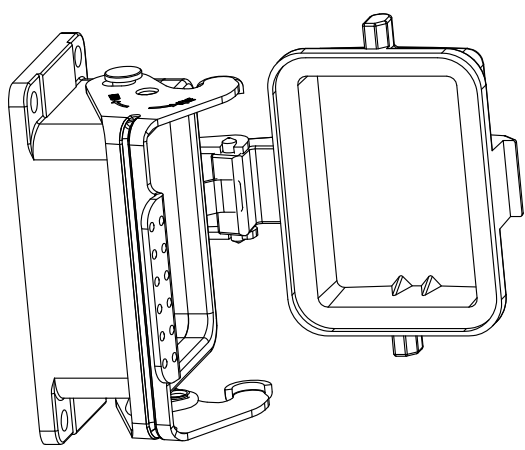


REVISION RECORD				
REV	ECN	DESCRIPTION	DRFT	DATE



Panel cut out

Housings Feature

- 01. Material: aluminium die-cast
- 02. Surface: Powder-coated
- 03. Color: grey (RAL 7037)
- 04. Material: Metal (Lever)
- 05. Sealing: NBR
- 06. Covers: Plastic
- 07. Limiting temperatures: -40°C ~ +125°C
- 08. Flammability acc to UL94: V0
- 09. Degree of protection acc. to EN60529 for coupled connector : IP65
- 10. Rohs compliance

DETACHED LISTS			
PART NO.:	/	NAME:	<b>DEGSON</b> 宁波高松电子有限公司 NINGBO DEGSON ELECTRICAL CO., LTD
APPR:			D6B-BK-1L-CV
CHKD:		TITLE:	CUSTOMER DRAWING
DRFT:	Mr. yding 2017/06/28	DRAWING NO.:	
		DO NOT SCALE DRAWING	SCALE
			1:1.5



THIRD ANGLE PROJECTION

A 8 7 6 5 4 3 2 1