

REVISION RECORD				
REV	ECN	DESCRIPTION	DRFT	DATE

Technical characteristics:

Specifications
 DIN EN 60 664
 DIN EN 61 984

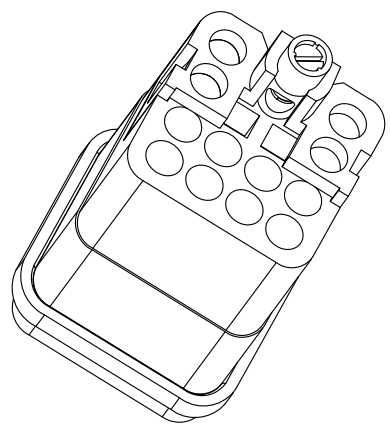
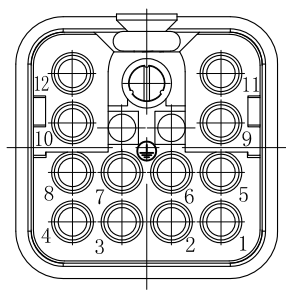
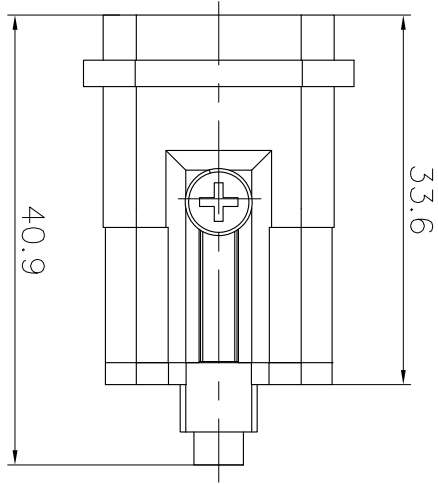
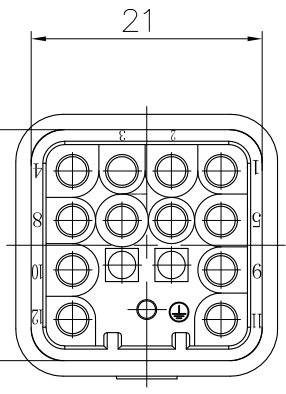
Inserts

- 01. Number of contacts : 12+PE
- 02. Rated Current : 10A
- 03. Rated Voltage : 400V
- 04. Pollution degree : 3
- 05. Rated impulse voltage : 6kv
- 06. Insulation resistance : $\geq 10^9 \Omega$
- 07. Material: Polycarbonate
- 08. Limiting temperatures : -40°C~+125°C
- 09. Flammability acc. to UL94: V0
- 10. Mechanical working life (mating cycles) : ≥ 500

Contacts

- 01. Material: Copper alloy
- 02. Surface: hard-Silver plated
: hard-Gold plated
- 03. Contact resistance : $\leq 3m\Omega$
- 04. Terminal : Crimp terminal
- 05. Wire gauge : 0.14-2.5mm² (AWG 26-14)
- 06. Stripping length : 6-8mm
- 07. Rohs Compliance

Note: Crimp contact pins should order separately



DETACHED LISTS			
PART NO.:	/	NINGBO DEGSON ELECTRICAL CO., LTD	
APPD:		宁波高松电子有限公司	
CHKD:		DQ-012-MC	
DRFT:	Mr. Yang 2016.09.25	TITLE: CUSTOMER DRAWING	REV DO-1
		DRAWING NO.:	SHEET 1/1
		THIRD ANGLE PROJECTION	DO NOT SCALE DRAWING SCALE 1.5:1