

REVISION RECORD

REV	ECN	DESCRIPTION	DRFT	DATE

Technical characteristics:

Specifications
 DIN EN 60 664-1
 DIN EN 61 984

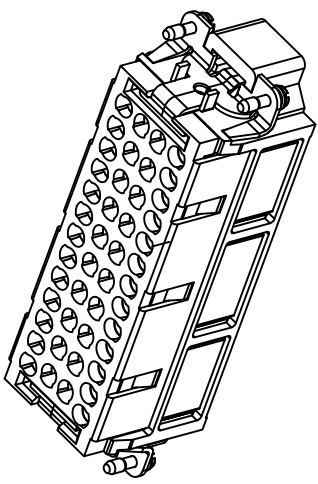
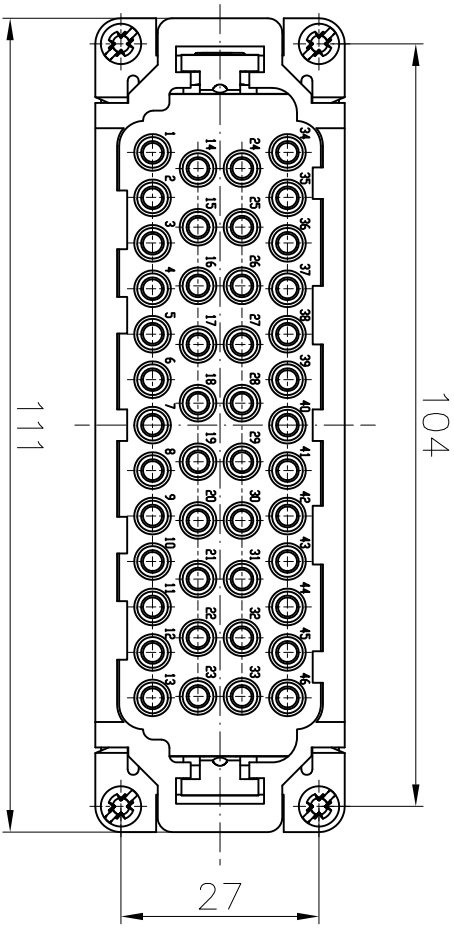
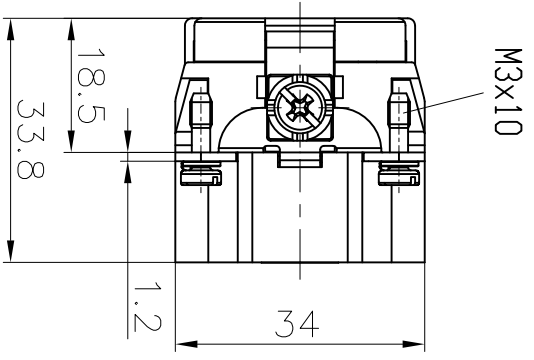
Inserts

- 01. Number of contacts : 46+PE
- 02. Rated Current : 16A
- 03. Rated Voltage : 500V
- 04. Pollution degree : 3
- 05. Rated impulse voltage : 6kV¹⁰
- 06. Insulation resistance : $\geq 10^9\Omega$
- 07. Material: Polycarbonate
- 08. Rated voltage acc. to UL/CSA: 600V
- 09. Limiting temperatures : -40°C ~ +125°C
- 10. Flammability acc. to UL94: V0
- 11. Mechanical working life (mating cycles) : ≥ 500

Contacts

- 01. Material: Copper alloy
- 02. Surface: hard-silver plated
- 03. Contact resistance : $\leq 1m\Omega$
- 04. Terminal : Crimp terminal
- 05. Wire gauge : 0.14-4.0mm² (AWG 26-12)
- 06. Stripping length : 7.5mm
- 07. Rohs Compliance

Note: Crimp contact pins should order separately



DETACHED LISTS	
PART NO.:	/
APPD:	
CHKD:	
DRFT:	Mr. Yang 2016.09.25
THIRD ANGLE PROJECTION	
NAME:	DEEGSON® NINGBO DEGSON ELECTRICAL CO., LTD 宁波高松电子有限公司
TITLE:	CUSTOMER DRAWING
DRAWING NO.:	DEE-046-MC-E01
SCALE	DO NOT SCALE DRAWING
REV	DO-1
SHEET	1/1
SCALE	1:1