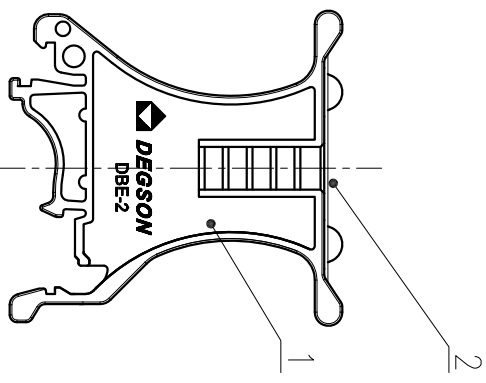
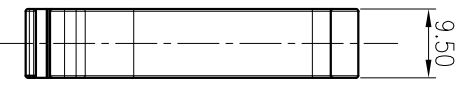
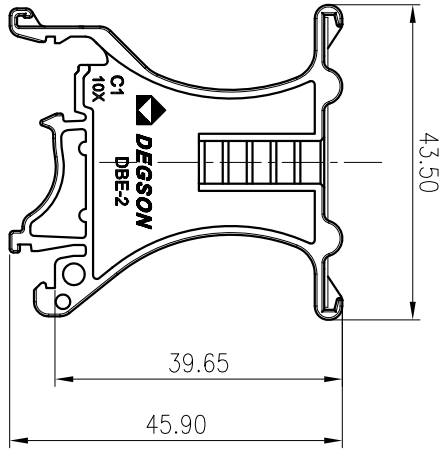
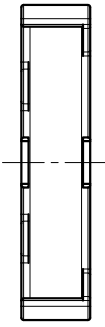


公差表/General tolerances(mm)		D
0	>3	
~	~	0.1/10
3	6	~
6	10	~
H0.12	H0.18	~ ^H 2
>6	>10	~
>10	>18	~
>18	>30	~
>30	>50	~
>50	>80	~
>80	>120	~
>120	>180	~
>180	>250	~
>250	>315	~
>315	>400	~
>400	>500	~
>500	>1000	~
±0.22	±0.26	±2.50
±0.31	±0.37	±2.50
±0.57	±0.80	±2.50
±0.93	±1.05	±2.50
±1.15	±1.60	±2.50



ITEM	NAME OF PART	MATERIAL	NOTES
2	Cover		
1	Housing	PA66	UL94V-0

使用温度范围/Operating temperature(°C) -40~+105
符合RoHS环保要求/Conform to RoHS Yes

MATERIAL: / SURFACE: /

MAT NO.: /
STATUS: /
APPD: Li GL 2020.06.10
CHKD: Mao J 2020.06.10

NAME: **DEGSSON** 宁波高松电子有限公司
NINGBO DEGSSON ELECTRICAL CO., LTD

DRAWING NO.: DBE-2-01P-11-00A(H)

DRAFT: Wang LX 2019.06.04 TYPE: CUSTOMER DRAWING SCALE: 2:1 SHEET 1/1

REV	ECN	DESCRIPTION	DRAFT	DATE