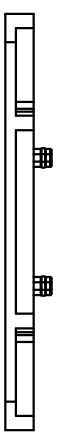
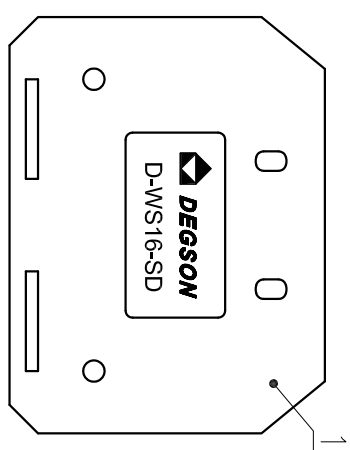
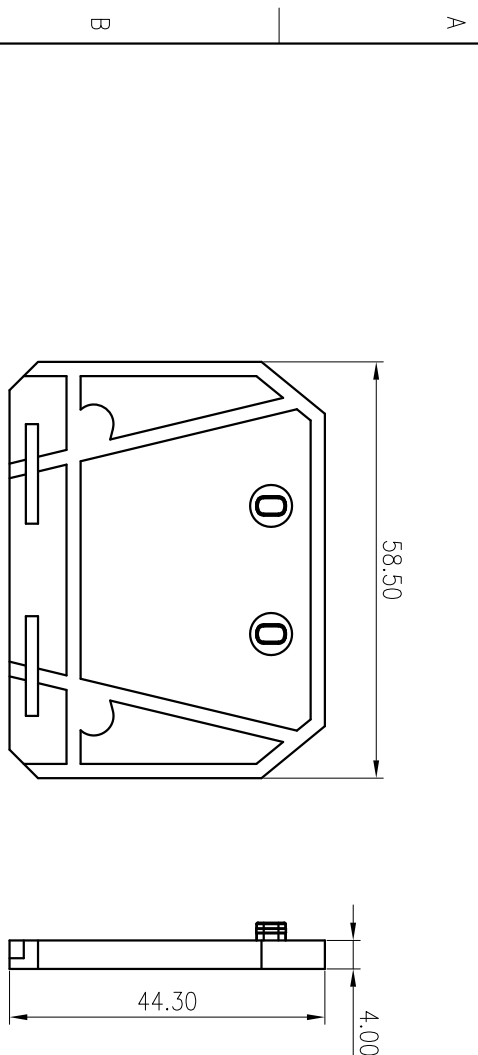


公差等级/General Tolerances(mm)		0	>3	>6	>10	>18	>30	>50	>80	>120	>180	>250	>315	>400	>500	≥
±0.12	±0.18	±0.22	±0.26	±0.31	±0.37	±0.57	±0.80	±0.93	±1.05	±1.15	±1.50	±1.60	±2.20	±2.50	±2.50	±2



ITEM	NAME OF PART	MATERIAL	NOTES
1	Housing	PA66	UL94V-0

同轴/Pitch(mm)/线数范围/Poles: 4.00/01P  
 使用温度范围/Operating Temperature(°C): -40~+105  
 符合RoHS环保要求/Conform to RoHS: Yes

MATERIAL: SURFACE:

MAT NO.: /  
 STATUS: /  
 APPD: Li GL 2020.06.06  
 CHKD: Mgo J 2020.06.06  
 DRFT: Wang Y 2020.06.10

**DEGSON**® 宁波高松电子有限公司  
 NINGBO DEGSON ELECTRICAL CO., LTD

NAME: **D-WS16-SD-01P-1Y-00A(H)**  
 DRAWING NO.: D-WS16-SD-C01

TYPE: CUSTOMER DRAWING SCALE: 1:1 REV: T0

REV	ECN	DESCRIPTION	DRFT	DATE	SIZE: A4	SCALE: 1:1	SHEET
					mm (inch)		1/1