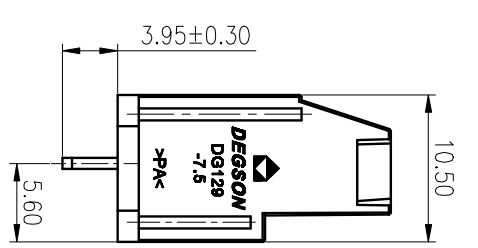
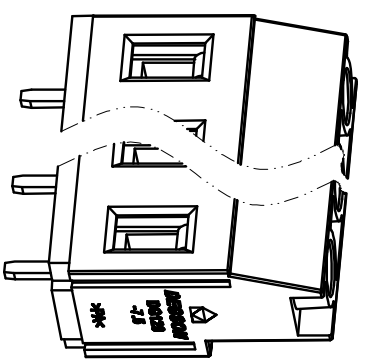
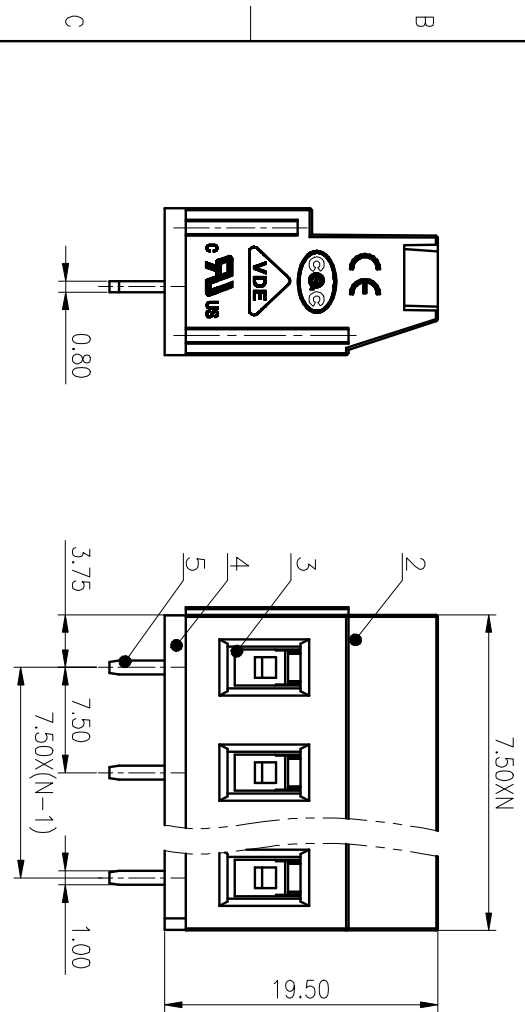
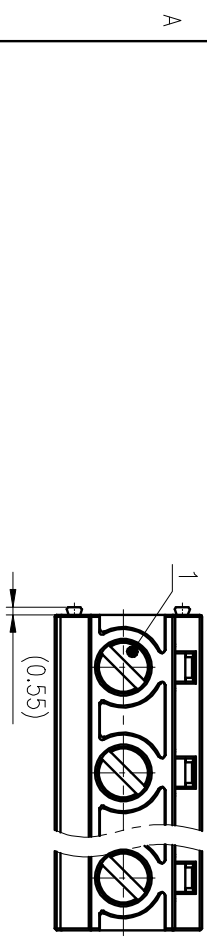
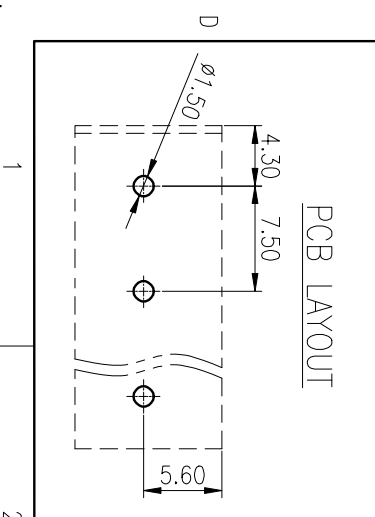


规格公差/General Tolerances(mm)		0.1/10	
0	>3	>10	>315
~	~	~	~
3	6	10	30
~	~	~	~
±0.12	±0.18	±0.22	±0.26
±0.31	±0.37	±0.57	±0.80
±1.05	±1.15	±1.60	±2.20
±2.50	±2.50	±2.50	±2.50
±Z	±Z	±Z	±Z



ITEM	NAME OF PART	MATERIAL	NOTES
1	Screw	Steel	M3/Zn Plated
2	Housing	PA66	UL94V-0
3	Cage	Copper alloy	M3/Ni Plated
4	Cover	PA66	UL94V-0
5	Pin header	Copper alloy	Sn Plated

UL 标准/UL Standard:	B	C	D
额定电压/额定电压(V)/Current(A)	300/20	/	300/10
IEC 标准/IEC Standard:	III/2		
过压类别/Overvoltage Category/污秽等级	III/2		
绝缘等级/Insulation Degree	450/20		
额定电压/电压(V)/Current(A)	450/20		
工频耐压/Withstanding voltage(V/1Min)	AC2500		
拧紧扭矩/Torque Tightening(N·m/Lbin)	M3, 0.5/4.43		
线径范围(硬线和软线)/Wire Range(rigid and flexible)(mm²/AWG)	0.5~2.5/26~12		
间距/Pitch(mm)/线数范围/Poles	7.5/N=02~16P		
引线长度/Stripping length(mm)	8		
使用温度范围/Operating temperature(°C)	-40~+105		
符合RoHS环保要求/Conform to RoHS	Yes		



REV	ECN	DESCRIPTION	DRAFT	DATE	SIZE	SCALE	SHEET
1					A4	2:1	1/1

MATERIAL:	/	SURFACE:	/
MAT NO.:	/	NINGBO DEGSON ELECTRICAL CO., LTD	
STATUS:	/	NAME: DG129-7.5-XXP-1Y-100A(H)	
Appd: LonChh	2020.05.13	DRAWING NO.: 10001394	
CHKD: YUJZ	2020.05.13	TYPE: CUSTOMER DRAWING	
DRT: ChenZ	2019.04.04	REV	DD-4