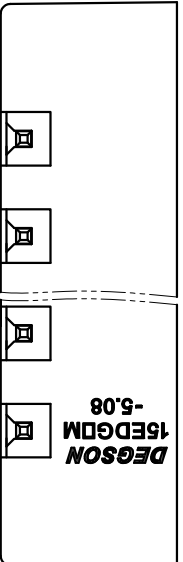
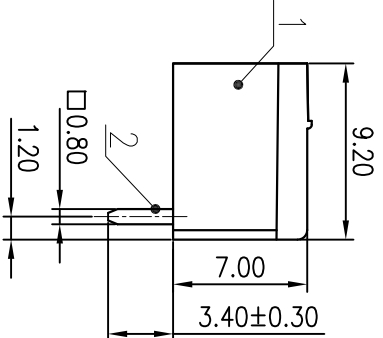
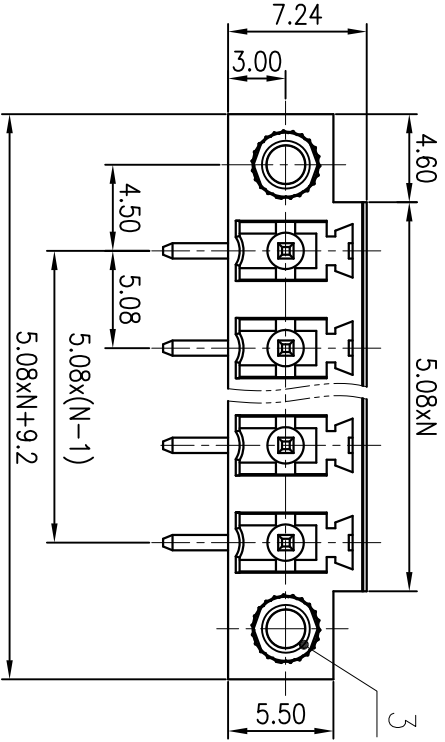
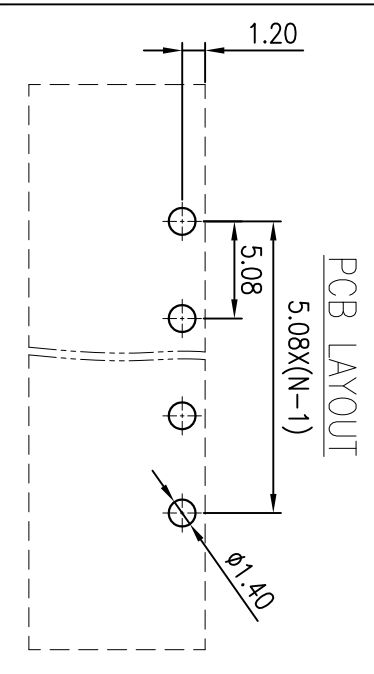
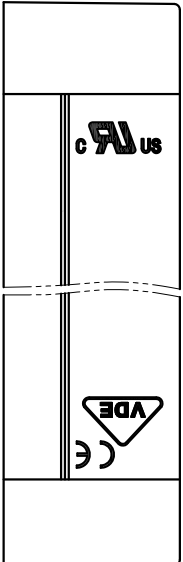


公差/General tolerances(mm)	
0	>3
~2	~6
3	~10
~4	~18
~5	~30
~6	~50
~7	~80
~8	~120
~9	~180
~10	~250
~11	~315
~12	~400
~13	~500
~14	~630
~15	~800
~16	~1000
~17	~1250
~18	~1600
~19	~2000
~20	~2500
~21	~3150
~22	~4000
~23	~5000
~24	~6300
~25	~8000
~26	~10000
~27	~12500
~28	~16000
~29	~20000
~30	~25000
~31	~31500
~32	~40000
~33	~50000
~34	~63000
~35	~80000
~36	~100000
~37	~125000
~38	~160000
~39	~200000
~40	~250000
~41	~315000
~42	~400000
~43	~500000
~44	~630000
~45	~800000
~46	~1000000
~47	~1250000
~48	~1600000
~49	~2000000
~50	~2500000
~51	~3150000
~52	~4000000
~53	~5000000
~54	~6300000
~55	~8000000
~56	~10000000
~57	~12500000
~58	~16000000
~59	~20000000
~60	~25000000
~61	~31500000
~62	~40000000
~63	~50000000
~64	~63000000
~65	~80000000
~66	~100000000
~67	~125000000
~68	~160000000
~69	~200000000
~70	~250000000
~71	~315000000
~72	~400000000
~73	~500000000
~74	~630000000
~75	~800000000
~76	~1000000000
~77	~1250000000
~78	~1600000000
~79	~2000000000
~80	~2500000000
~81	~3150000000
~82	~4000000000
~83	~5000000000
~84	~6300000000
~85	~8000000000
~86	~10000000000
~87	~12500000000
~88	~16000000000
~89	~20000000000
~90	~25000000000
~91	~31500000000
~92	~40000000000
~93	~50000000000
~94	~63000000000
~95	~80000000000
~96	~100000000000
~97	~125000000000
~98	~160000000000
~99	~200000000000
~100	~250000000000
~101	~315000000000
~102	~400000000000
~103	~500000000000
~104	~630000000000
~105	~800000000000
~106	~1000000000000
~107	~1250000000000
~108	~1600000000000
~109	~2000000000000
~110	~2500000000000
~111	~3150000000000
~112	~4000000000000
~113	~5000000000000
~114	~6300000000000
~115	~8000000000000
~116	~10000000000000
~117	~12500000000000
~118	~16000000000000
~119	~20000000000000
~120	~25000000000000
~121	~31500000000000
~122	~40000000000000
~123	~50000000000000
~124	~63000000000000
~125	~80000000000000
~126	~100000000000000
~127	~125000000000000
~128	~160000000000000
~129	~200000000000000
~130	~250000000000000
~131	~315000000000000
~132	~400000000000000
~133	~500000000000000
~134	~630000000000000
~135	~800000000000000
~136	~1000000000000000
~137	~1250000000000000
~138	~1600000000000000
~139	~2000000000000000
~140	~2500000000000000
~141	~3150000000000000
~142	~4000000000000000
~143	~5000000000000000
~144	~6300000000000000
~145	~8000000000000000
~146	~10000000000000000
~147	~12500000000000000
~148	~16000000000000000
~149	~20000000000000000
~150	~25000000000000000
~151	~31500000000000000
~152	~40000000000000000
~153	~50000000000000000
~154	~63000000000000000
~155	~80000000000000000
~156	~100000000000000000
~157	~125000000000000000
~158	~160000000000000000
~159	~200000000000000000
~160	~250000000000000000
~161	~315000000000000000
~162	~400000000000000000
~163	~500000000000000000
~164	~630000000000000000
~165	~800000000000000000
~166	~1000000000000000000
~167	~1250000000000000000
~168	~1600000000000000000
~169	~2000000000000000000
~170	~2500000000000000000
~171	~3150000000000000000
~172	~4000000000000000000
~173	~5000000000000000000
~174	~6300000000000000000
~175	~8000000000000000000
~176	~10000000000000000000
~177	~12500000000000000000
~178	~16000000000000000000
~179	~20000000000000000000
~180	~25000000000000000000
~181	~31500000000000000000
~182	~40000000000000000000
~183	~50000000000000000000
~184	~63000000000000000000
~185	~80000000000000000000
~186	~100000000000000000000
~187	~125000000000000000000
~188	~160000000000000000000
~189	~200000000000000000000
~190	~250000000000000000000
~191	~315000000000000000000
~192	~400000000000000000000
~193	~500000000000000000000
~194	~630000000000000000000
~195	~800000000000000000000
~196	~1000000000000000000000
~197	~1250000000000000000000
~198	~1600000000000000000000
~199	~2000000000000000000000
~200	~2500000000000000000000



ITEM	NAME OF PART	MATERIAL	NOTES
1	Housing	PA66	UL94V-0
2	Pin	Copper alloy	Sn Plated
3	Nut	Copper alloy	

UL 标准/UL Standard:	B
额定电压/电压/Rated Voltage(V)/Current(A)	300/8
IEC 标准/IEC Standard:	
过压类别/Overvoltage Category/污染等级/Pollution Degree	II/2
额定电压/电压/Rated Voltage(V)/Current(A)	450/7
额定脉冲电压/Rate Impulse Voltage(KV)	4
可耐/Pitch(mm)/线数范围/Poles	5.08/N=02~12P
使用温度范围/Operating temperature(C)	-40~+105
符合RoHS环保要求/Conform to RoHS	Yes

MATERIAL:	
SURFACE:	
MAT NO.:	/
STATUS:	/
APPD:	Lon CHH 2020.05.25
CHKD:	Yu JZh 2020.05.25
DRFT:	HZD 2015.08.24

REV	ECN	DESCRIPTION	DRFT	DATE

文 管 中 心  
 研 发 专 用  
 2020.05.25  
 (仅限内部使用,对外无效)

NAME:	15EDGRM-5.08-XXP-1Y-00A(H)
DRAWING NO.:	15EDGRM-5.08-C01
TYPE:	CUSTOMER DRAWING
SCALE:	2.5:1 SHEET 1/1

宁波高松电子有限公司  
 NINGBO DEGSON ELECTRICAL CO., LTD