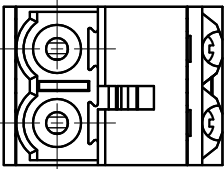
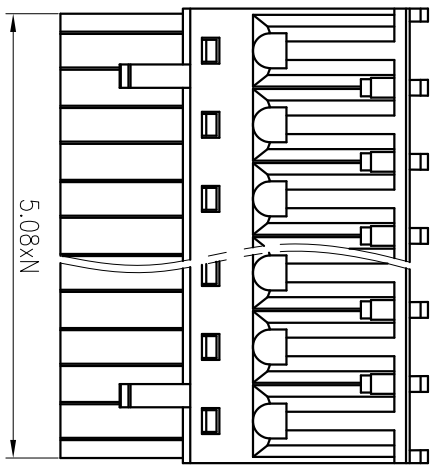
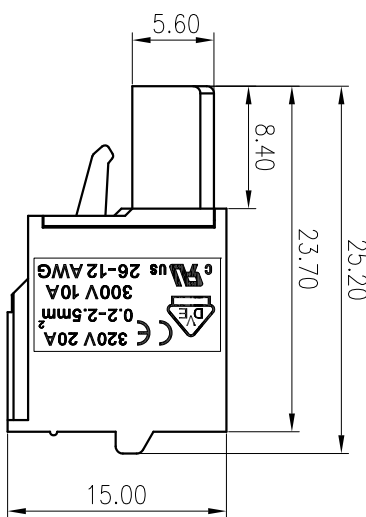
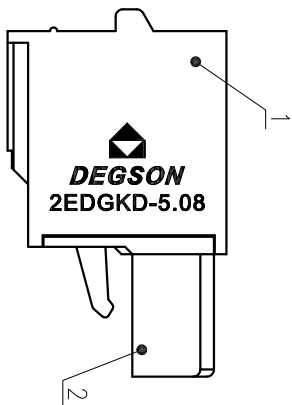
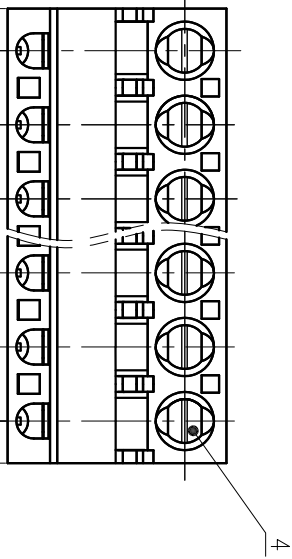
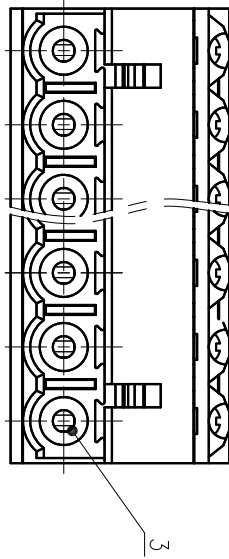


公差表/General tolerances(mm)													
0	>3	>6	>10	>18	>30	>50	>80	>120	>180	>250	>315	>400	0.1/10
~	~	~	~	~	~	~	~	~	~	~	~	~	~
3	6	10	18	30	50	80	120	180	250	315	400	500	±2°
±0.12	±0.18	±0.22	±0.26	±0.31	±0.37	±0.57	±0.80	±1.05	±1.05	±1.15	±1.60	±2.20	±2.50



4	Spring	Stainless steel	/
3	Clamp	Copper alloy	Sn Plated
2	Cover	PA66	UL94V-0
1	Housing	PA66	UL94V-0
ITEM	NAME OF PART	MATERIAL	NOTES
UL 标准/UL Standard:	B	C	D
额定电压/电流/Rated Voltage(V)/Current(A)	300/10	/	300/10
IEC 标准/IEC Standard:	300/10	/	300/10
过压类别/Overvoltage Category/污染等级/Pollution Degree	III/3	III/2	II/2
额定电压/电流/Rated Voltage(V)/Current(A)	/	320/20	/
额定脉冲电压(KV)/Rate Impulse Voltage(KV)	/	4	/
螺丝扭矩/Torque Tightening(N·m/Lb·in)	M2.5, 0.4/3.54		
绞合范围(硬导线/软导线)/Wire Range(rigid and flexible)(mm <sup>2</sup> /AWG)	0.2~2.5/26~12		
间距/Pitch(mm)/绞合范围/Poles	5.08/N=02~24P		
剥线长度/Stripping length(mm)	9~10		
使用温度范围/Operating temperature(°C)	-40~+105		
符合RoHS环保要求/Conform to RoHS	Yes		

MATERIAL:

SURFACE: /

DEGSON® NINGBO DEGSON ELECTRICAL CO., LTD  
 宁波高松电子有限公司

NAME: 2EDGKDW-5.08-XXP-1Y-00A(H)

APPD: Li GL 2020.05.18  
 CHKD: Ma EK 2020.05.18  
 DRFT: Apple 2006.10.20

DRAWING NO.: 2EDGKDW-5.08-C01  
 TYPE: CUSTOMER DRAWING  
 SCALE: 2:1 SHEET 1/1

REV	ECN	DESCRIPTION	DRFT	DATE	SIZE	SCALE	SHEET
1					A4	2:1	1/1