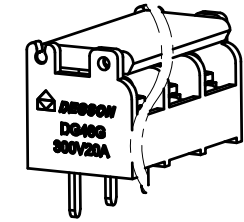
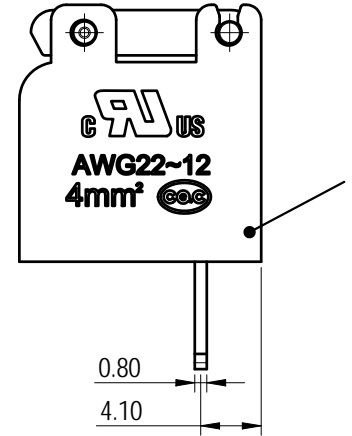
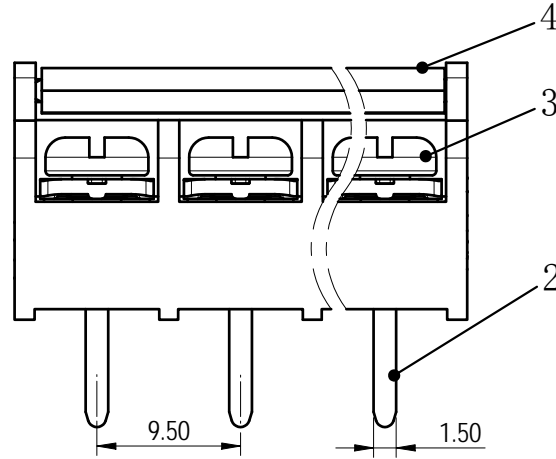
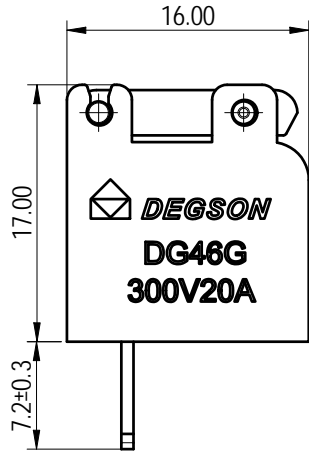
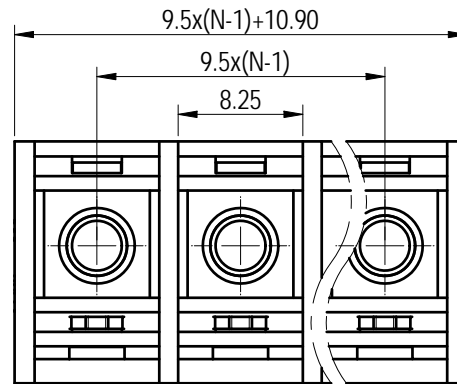


未注公差/General tolerances (mm)													0.1/10
0	>3	>6	>10	>18	>30	>50	>80	>120	>180	>250	>315	>400	
~3	~6	~10	~18	~30	~50	~80	~120	~180	~250	~315	~400	~500	>500
±0.12	±0.18	±0.22	±0.26	±0.31	±0.37	±0.57	±0.80	±0.93	±1.05	±1.15	±1.60	±2.20	±2.50



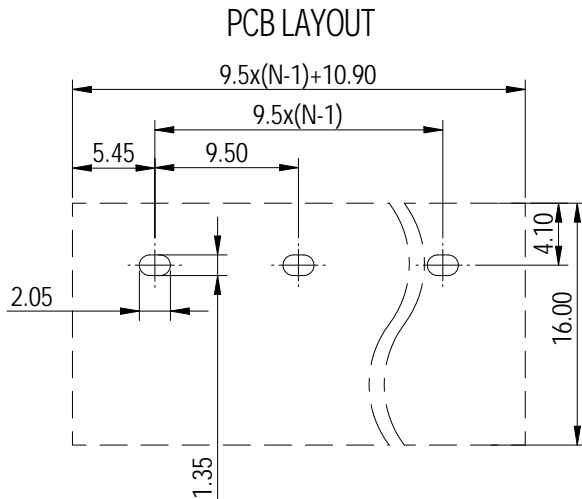
1:1



Note: The A&Z(H) in the name means: A(H) and Z(H).

ITEM	NAME OF PART	MATERIAL	NOTES
4	Cover	PC	UL94V-2
3	Screw	Steel	Ni Plated
2	Pin header	Copper alloy	Sn Plated
1	Housing	PA66	UL94V-0

UL 标准/UL Standard:	B	C	D
额定电压/电流/Rated Voltage(V)/Current(A)	300/20	/	/
UL工频耐压/R.M.S withstand voltage AC1600V/1Min	AC2000V/1Min		
螺丝扭矩/Torque Tightening(N·m/Lb.in)	M4, 1.2/10.62		
绝缘电阻/Insulation Resistance	500Ω/DC500V		
线径范围(硬线和软线)/Wire Range(rigid and flexible)(AWG/mm²)	22~12		
间距/Pitch(mm)/线数范围/Poles	9.5/N=02~12P		
剥线长度/Stripping length(mm)	7~8		
使用温度范围/Operating temperature(°C)	-40~+105		
符合RoHS环保要求/Conform to RoHS	Yes		



REV	ECN	DESCRIPTION	DRFT	DATE
01		由PMT2版升级至TC00版	虞倩松	2022.12.22

DEGSON

APPD: 蓝贵凡 2022.12.22
 CHKD: 曹利彬 2022.12.22
 DRFT: 虞倩松 2022.12.22

MATERIAL:	SURFACE/COLOR:	
MAT NO./REV: - / 00	MAT STATUS: 批量	
NAME DG46GS-B-XXP-1Y-00A&Z(H)		
DRAWING NO. 200122918	TYPE CUSTOMER DRAWING	DRAWING STATUS 已发布
SCALE 2:1	SHEET 1/1	

Transfer or duplication of this document as well as the utilization or communication of its contents are prohibited unless explicit authorization is granted. Violations will be liable for compensation. All rights reserved for patent, utility model or design registrations. 除专利等明确授权外, 否则本文件的所有权、复制、引用、分发等权利均受法律保护。 未经授权, 复制或传播本文件内容, 公司将保留追究相关法律责任的权利。