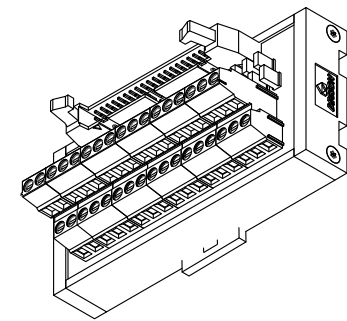
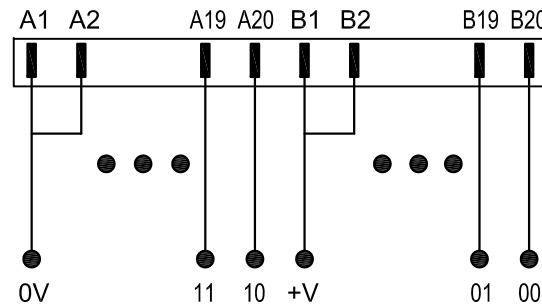
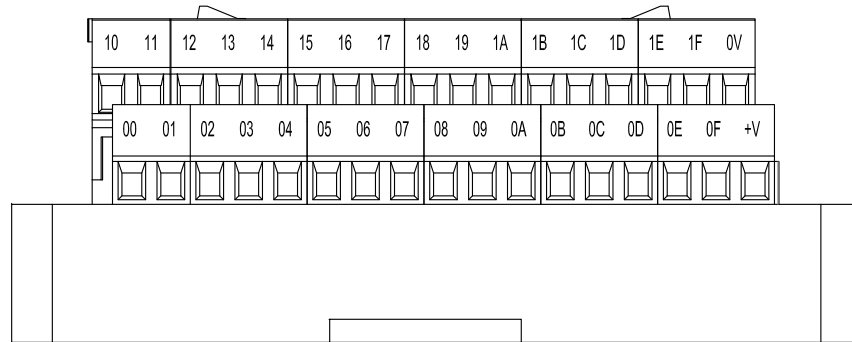
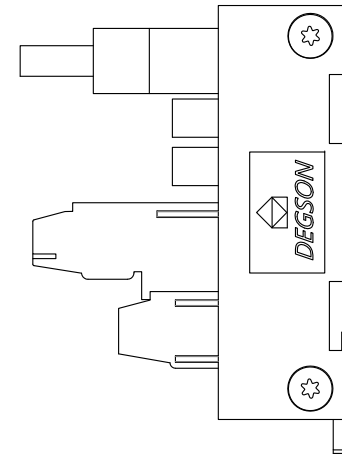
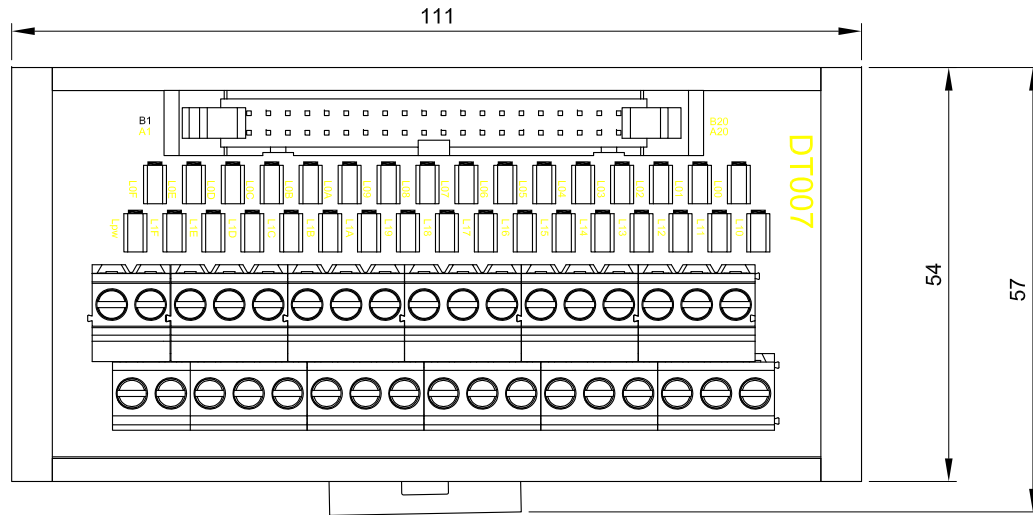


REVISION RECORD				
REV	ECN	DESCRIPTION	DRFT	DATE



Specifications	
Rated voltage	DC24V
Rated current	1A
Status display	LED
Connector dIgtIs	40
Stripping Length	7mm
Terminal torque	0.4Nm (4.43Lb-In)
Input port/wire diameter	IDC 40P
Output port/wire diameter	DG500-5.08/ 1.0-2.5mm ² /24-12AWG;
Temperature range	- 25 °C ~ +70 °C
Installation Method	35mmDIN

DETACHED LISTS	PART NO.:	宁波高松电子有限公司 NINGBO DEGSON ELECTRICAL CO., LTD		
	APPD:	NAME: DT007-00A(H)		
	CHKD:	TITLE: ASSEMBLY DRAWING		
	DRFT:	DRAWING NO.:		REV: T0-1
 THIRD ANGLE PROJECTION		← MM (INCH) → DO NOT SCALE DRAWING	SHEET: 1/1	SCALE: 1:1