

REVISION RECORD				
REV	ECN	DESCRIPTION	DRFT	DATE

Technical characteristics:

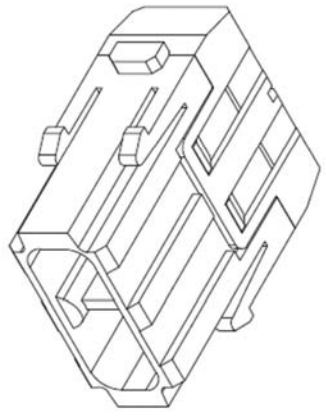
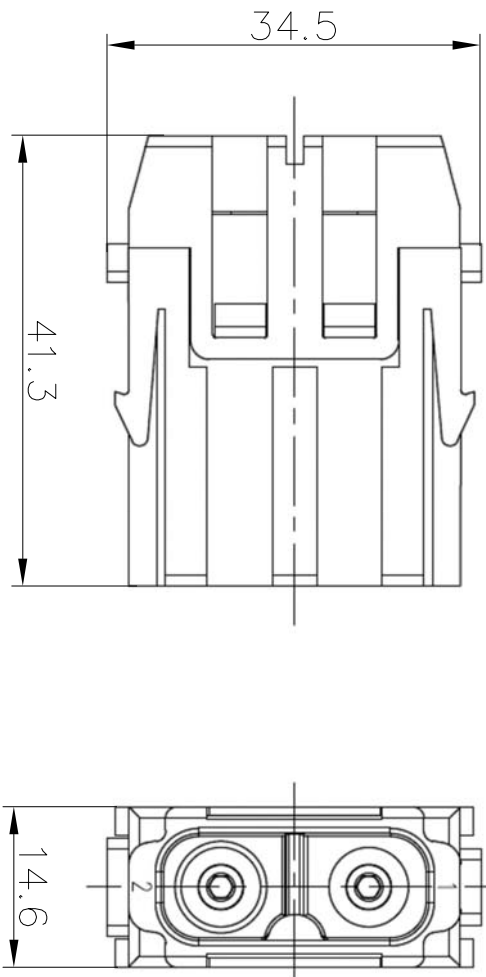
Specifications  
 DIN EN 60 664  
 DIN EN 61 984

Inserts

- 01. Number of contacts : 2
- 02. Rated Current : 40A
- 03. Rated Voltage : 1000V
- 04. Pollution degree : 3
- 05. Rated impulse voltage : 8kv<sup>10</sup>
- 06. Insulation resistance :  $\geq 10^9\Omega$
- 07. Material : Polycarbonate
- 08. Rated voltage acc. to UL : 600V
- 09. Limiting temperatures : -40°C~+125°C
- 10. Flammability acc. to UL94 : V0
- 11. Mechanical working life (mating cycles) :  $\geq 500$

Contacts

- 01. Material : Copper alloy
- 02. Surface : hard-silver plated
- 03. Contact resistance :  $\leq 1m\Omega$
- 04. Terminal : Axial screw terminal
- 05. Wire gauge : 6-10mm<sup>2</sup>
- 06. Hexagonal driver : SW2
- 07. Stripping length : 6~11mm
- 08. Tightening torque : 1.5-2Nm
- 09. Rohs Compliance



DETACHED LISTS			
PART NO.:	/	NAME:	<b>DEGSON</b> ® NINGBO DEGSON ELECTRICAL CO., LTD 宁波高松电子有限公司
APPD:		DMK-002-M(6-10mm <sup>2</sup> )	
CHKD:		TITLE: CUSTOMER DRAWING	REV: DO-1
DRFT: YONG	2016.08.22	DRAWING NO.:	SHEET 1/1
THIRD ANGLE PROJECTION		DO NOT SCALE DRAWING	SCALE 1.5:1

A 8 7 6 5 4 3 2 1