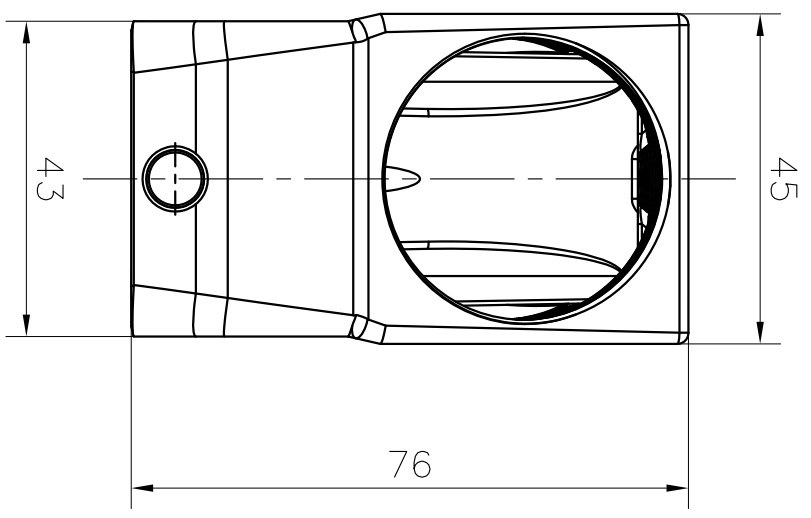
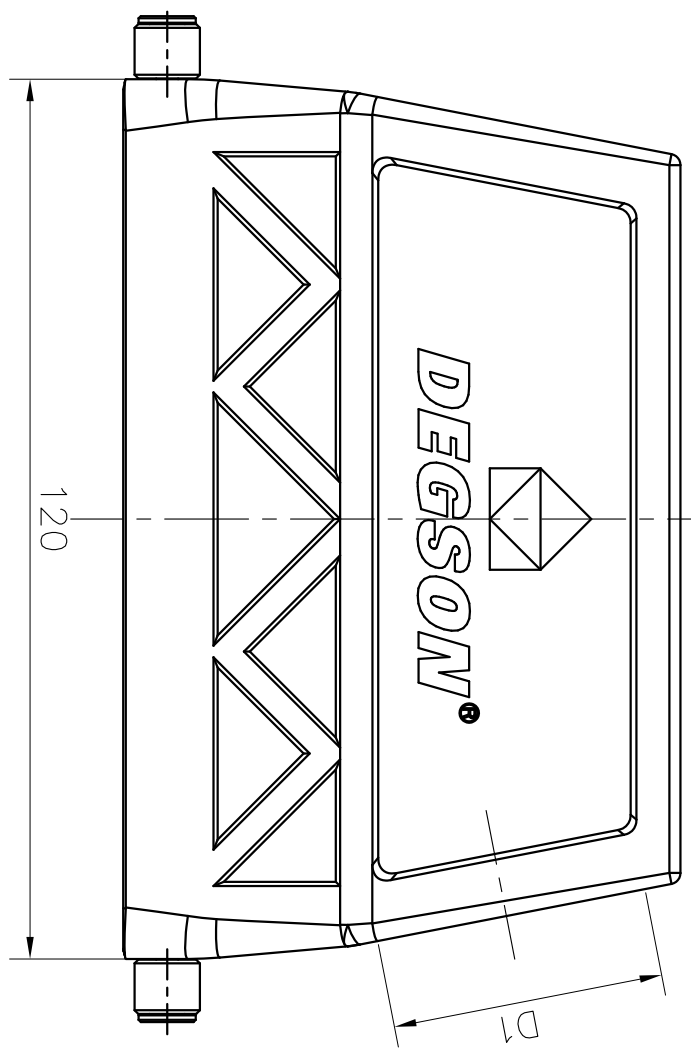
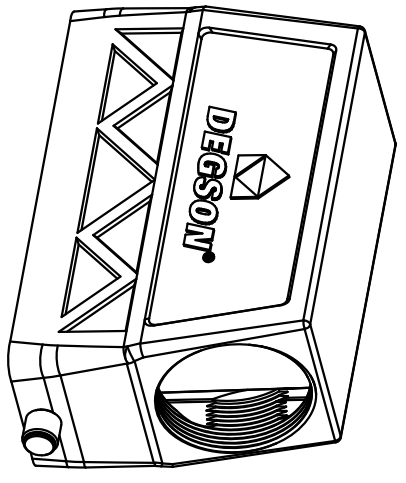


REVISION RECORD				
REV	ECN	DESCRIPTION	DRFT	DATE

TYPE	Thread(D1)	Selection
D24B-SEH-2g-M32	M32	
D24B-SEH-2g-M40	M40	
D24B-SEH-2g-PG21	PG21	
D24B-SEH-2g-PG29	PG29	



- Hoods Feature**
1. Material: aluminium die-cast
 2. Surface: Powder-coated
 3. Color: grey (RAL 7037)
 4. Limiting temperatures: -40°C ~ +125°C
 5. Flammability acc to UL94: V0
 6. Degree of protection acc.to EN60529 for coupled connector : IP65
 7. Rohs compliance



DETACHED LISTS			
PART NO.:	/	NAME:	DEGSON NINGBO DEGSON ELECTRICAL CO., LTD 宁波高松电子有限公司
APPD:			D24B-SEH-2g-M/PG
CHKD:		TITLE:	CUSTOMER DRAWING
DRFT:	Mr. yong 2017/06/28	DRAWING NO.:	
			REV
			DO-1
			SHEET
			1/1
			SCALE
			1:1