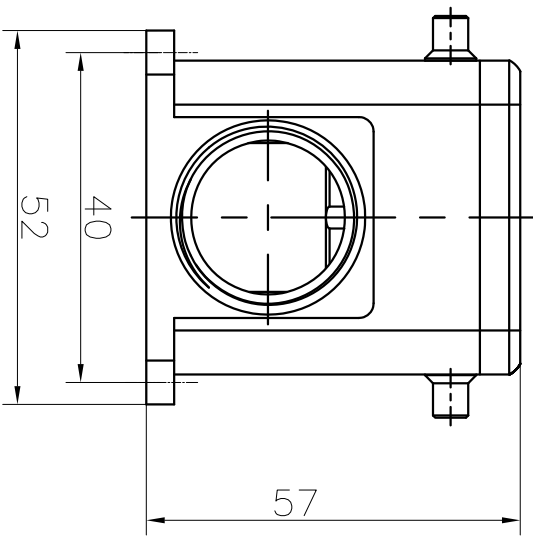
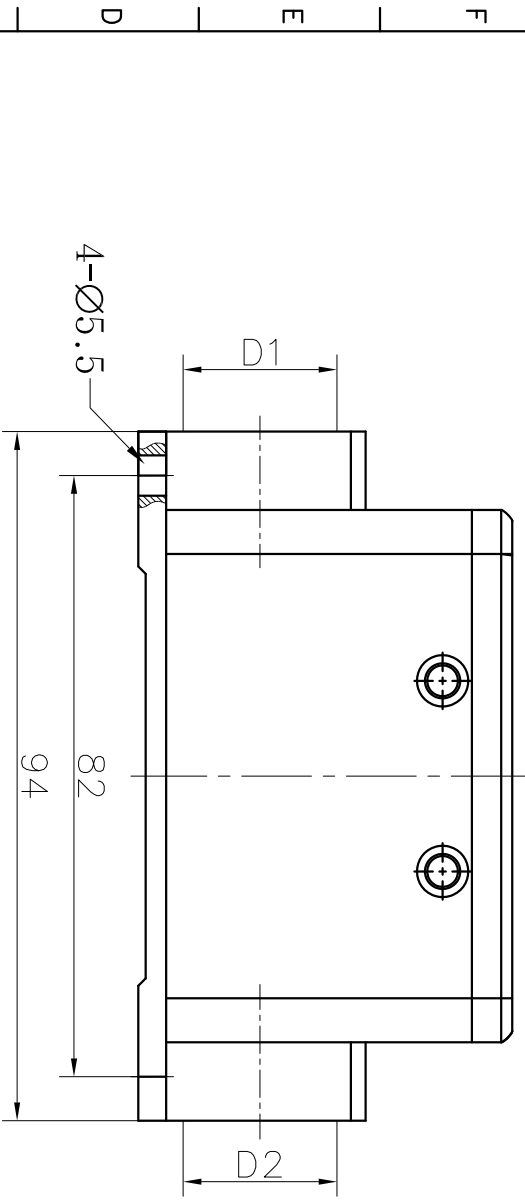
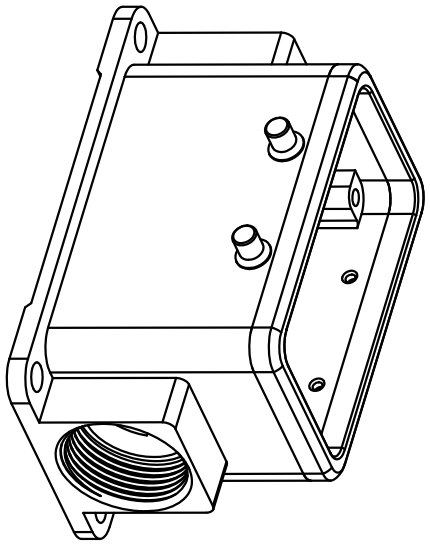


REVISION RECORD				
REV	ECN	DESCRIPTION	DRFT	DATE

TYPE	Thread		Selection
	D1	D2	
D10B-SF-4g-M20	M20	—	
D10B-SF-4g-2M20	M20	M20	
D10B-SF-4g-M25	M25	—	
D10B-SF-4g-2M25	M25	M25	
D10B-SF-4g-PG16	PG16	—	
D10B-SF-4g-2PG16	PG16	PG16	



- Housings Feature**
1. Material: aluminium die-cast
 2. Surface: Powder-coated
 3. Color: grey (RAL 7037)
 4. Sealing: NBR
 5. Limiting temperatures: -40°C ~ +125°C
 6. Flammability acc to UL94: V0
 7. Degree of protection acc to IP65
 8. Rohs compliance



DETACHED LISTS			
PART NO.:	/	NAME:	DEGSON 宁波高松电子有限公司 NINGBO DEGSON ELECTRICAL CO., LTD
APPD:			D10B-SF-4g-M/PG
CHKD:		TITLE:	CUSTOMER DRAWING
DRFT:	Mr. yong 2017/06/28	DRAWING NO.:	
		REV	DO-1
		SHEET	1/1
		SCALE	1:1



DO NOT SCALE DRAWING