

REVISION RECORD				
REV	ECN	DESCRIPTION	DRFT	DATE

Technical characteristics:

Specifications
 DIN EN 60 664-1
 DIN EN 61 984

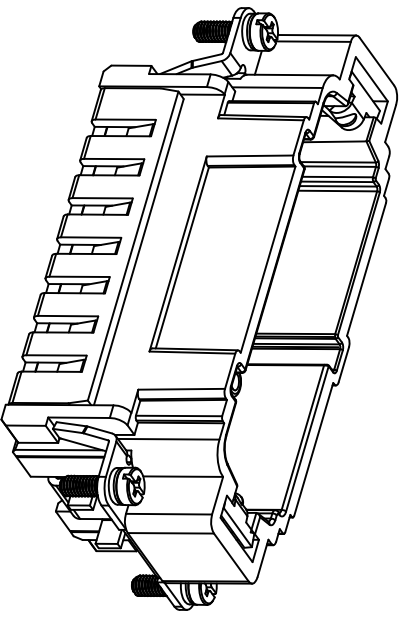
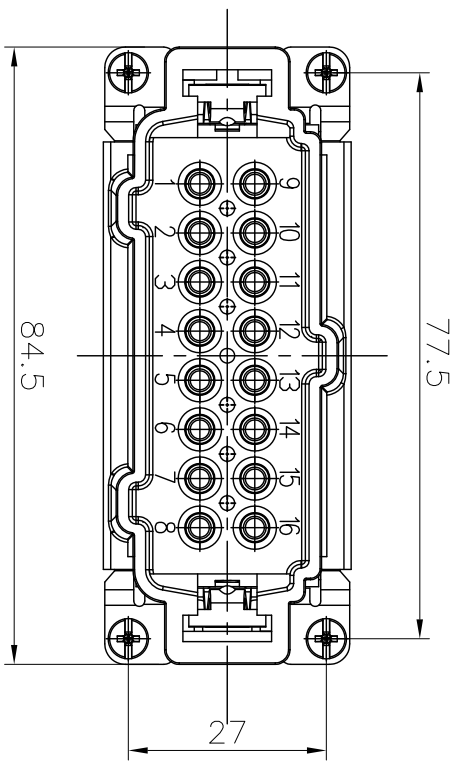
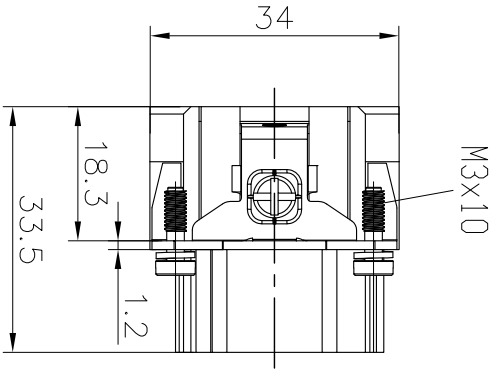
Inserts

- 01. Number of contacts :16+PE
- 02. Rated Current :16A
- 03. Rated Voltage :500V
- 04. Pollution degree :3
- 05. Rated impulse voltage :6kV¹⁰
- 06. Insulation resistance :≥10¹⁰Ω
- 07. Material:Polycarbonate
- 08. Rated voltage acc. to UL/CSA:600V
- 09. Limiting temperatures :-40℃~+125℃
- 10. Flammability acc. to UL94:V0
- 11. Mechanical working life (mating cycles) :≥500

Contacts

- 01. Material:Copper alloy
- 02. Surface:hard-silver plated
- 03. Contact resistance :≤1mΩ
- 04. Terminal :Crimp terminal
- 05. Wire gauge :0.14-4.0mm² (AWG 26-12)
- 06. Stripping length :7.5mm
- 07. Rohns Compliance

Note:Crimp contact pins should order separately



DETACHED LISTS			
PART NO.:	/	NAME:	DEGSON ® NINGBO DEGSON ELECTRICAL CO., LTD 宁波高松电子有限公司
APPD:		TITLE:	CUSTOMER DRAWING
CHKD:		DRAWING NO.:	/
DRFT:	Mr. Yang 2016.08.08	DO NOT SCALE DRAWING	SCALE
THIRD ANGLE PROJECTION		REV	DO
		SHEET	1/1
		SCALE	1:1

A 8 7 6 5 4 3 2 1

REVISION RECORD				
REV	ECN	DESCRIPTION	DRFT	DATE

Technical characteristics:

Specifications
 DIN EN 60 664-1
 DIN EN 61 984

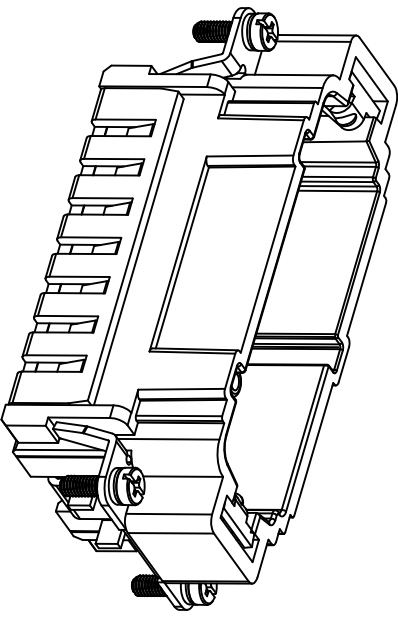
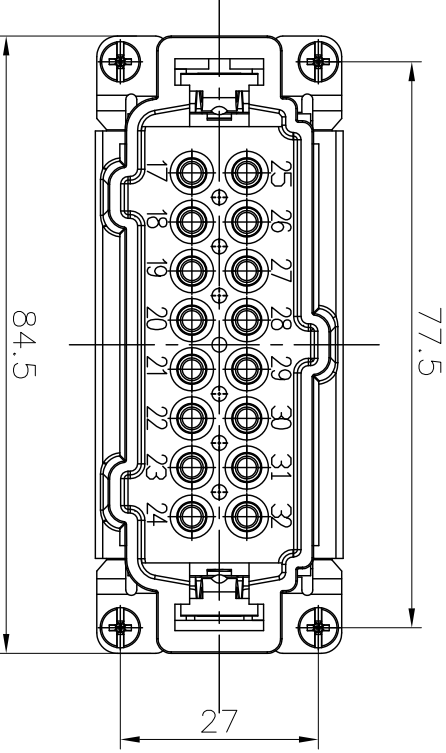
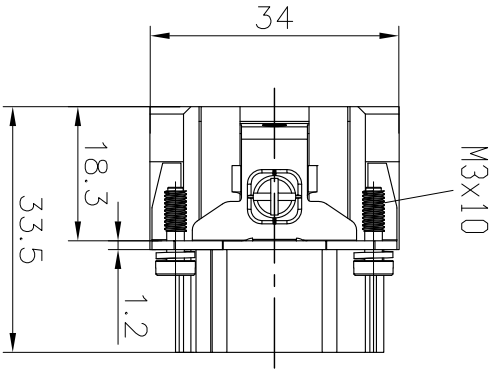
Inserts

01. Number of contacts :16+PE
02. Rated Current :16A
03. Rated Voltage :500V
04. Pollution degree :3
05. Rated impulse voltage :6kv¹⁰
06. Insulation resistance :≥10¹⁰Ω
07. Material:Polycarbonate
08. Rated voltage acc. to UL/CSA:600V
09. Limiting temperatures :-40℃~+125℃
10. Flammability acc. to UL94:V0
11. Mechanical working life (mating cycles) :≥500

Contacts

01. Material:Copper alloy
02. Surface:hard-silver plated
03. Contact resistance :≤1mΩ
04. Terminal :Crimp terminal
05. Wire gauge :0.14-4.0mm² (AWG 26-12)
06. Stripping length :7.5mm
07. Rohns Compliance

Note:Crimp contact pins should order separately



DETACHED LISTS			
PART NO.:	/	NAME:	DEGSON ® NINGBO DEGSON ELECTRICAL CO., LTD 宁波高松电子有限公司
APPD:		TITLE:	CUSTOMER DRAWING
CHKD:		DRAWING NO.:	/
DRFT:	Mr. Yang 2016.08.08	DO NOT SCALE DRAWING	SCALE
THIRD ANGLE PROJECTION		REV	DO
		SHEET	1/1
		SCALE	1:1