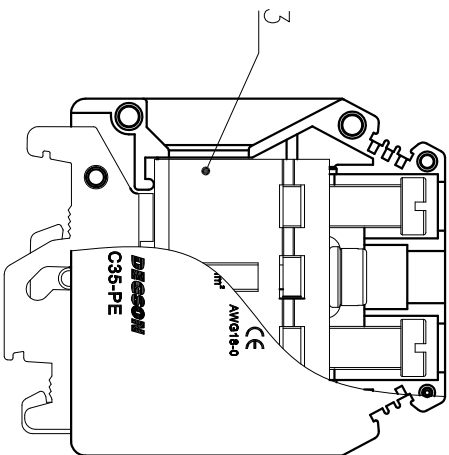
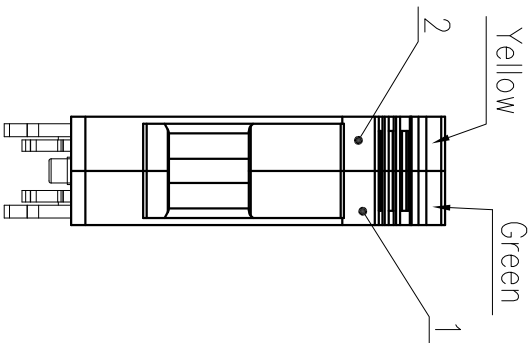
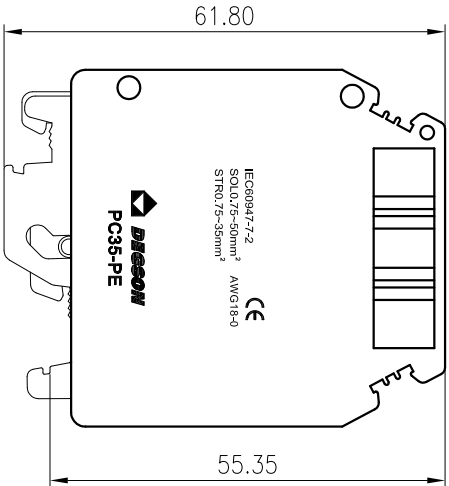
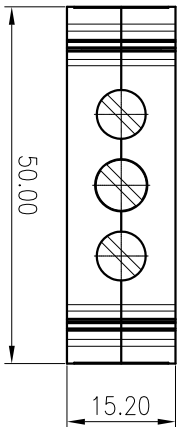


公差/General tolerances(mm)		公差/General tolerances(mm)	
0	>3	>10	>180
~	>6	>30	>250
~	>10	>50	>315
~	10	80	>400
3	18	120	500
±0.12	±0.22	±0.31	±1.05
±0.18	±0.26	±0.37	±1.15
		±0.80	±2.20
		±0.93	±2.50
		±1.05	±2.50
		±1.15	±2.50
		±1.60	±2.50
		±2.20	±2.50
		±2.50	±2.50



3	Ground contact		
2	Housing 2	PA66	UL94V-0
1	Housing 1	PA66	UL94V-0
ITEM	NAME OF PART	MATERIAL	NOTES

UL 标准/UL Standard:	B	C	D
额定电压/电压/Rated Voltage(V)/Current(A)	/	/	/
EC 标准/IEC Standard:	/	/	/
过压类别/Overvoltage Category/污染等	III/3	/	/
级/Pollution Degree	/	/	/
额定电压/电流/Rated Voltage(V)/Current(A)	/	/	/
额定脉冲电压(KV)/Rate Impulse Voltage(KV)	8.0	/	/
额定电压/电流/Rated Voltage(V)/Current(A)	8.0	/	/
额定脉冲电压(KV)/Rate Impulse Voltage(KV)	8.0	/	/
拧紧扭矩/Torque Tightening(N·m/Lb·in)	M6: 2.5/22.15		
拧紧范围(硬线和软线)/Wire Range(rigid and flexible)(mm²/AWG)	0.75~50(Sol)/0.75~35(St)		
间距/Pitch(mm)/线数范围/Poles	15.20		
剥线长度/Stripping length(mm)	18~19		
使用温度范围/Operating Temperature(°C)	-40~+105		
符合RoHS环保要求/Conform to RoHS	Yes		
标准颜色编号/Standard color number:	/		
PANTONE / RAL	/		

MATERIAL:

SURFACE:

MAT NO.: /
 STATUS: /
 APPD: LI GL 2020.06.04
 CHKD: Mao J 2020.06.04
 DFT: LIUM 2006.01.06

NAME: **DEGSON** 宁波高松电子有限公司
 NINGBO DEGSON ELECTRICAL CO., LTD

PC35-PE-01P-1Y-00A(H)

DRAWING NO.: PC35-PE-C01

REV: T1

DESCRIPTION

DATE

SIZE: A4

mm
inch

TYPE: CUSTOMER DRAWING

SCALE: 1:1 SHEET 1/1