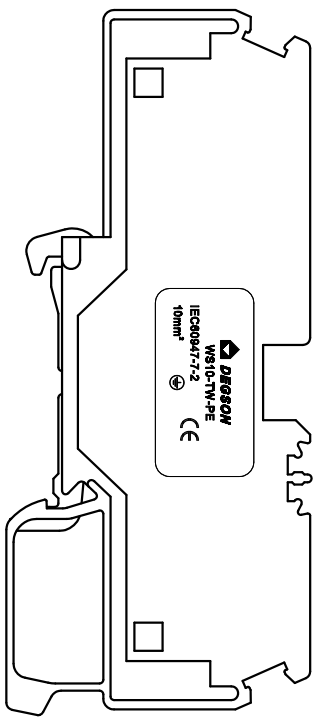
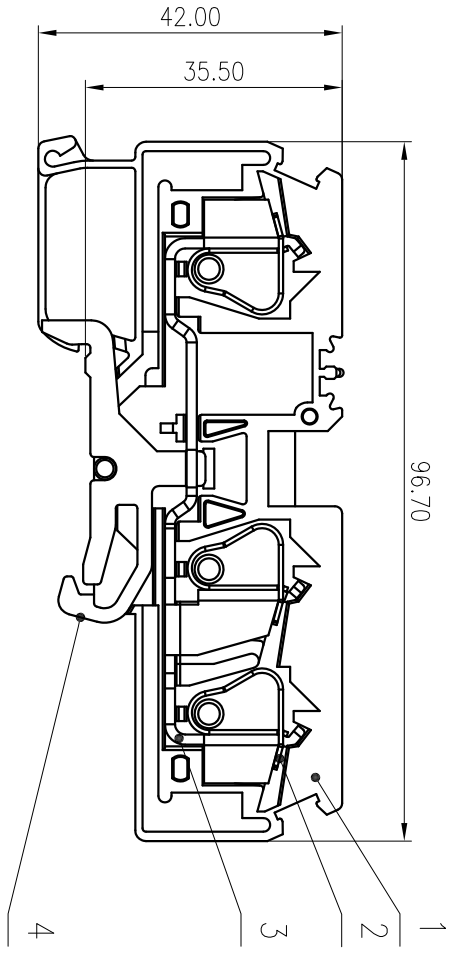
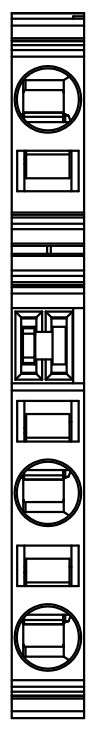


0	>3	>6	>10	>18	>30	>50	>80	>120	>180	>250	>315	>400	>500	0.1/10
~	~	~	~	~	~	~	~	~	~	~	~	~	~	±2°
3	6	10	18	30	50	80	120	180	250	315	400	500	±2.20	±2.50
未注公差/General tolerances(mm)														



UL 标准/UL Standard:	B	C	D
额定电压/电涌/Rated Voltage(V)/Current(A)	/	/	/
EC 标准/EC Standard:	/	/	/
过压类别/Overvoltage Category/污染等级/ Pollution Degree	III/3	/	/
额定电压/电涌/Rated Voltage(V)/Current(A)	/	/	/
额定电涌电压(KV)/Rote Impulse Voltage(KV)	8.0	/	/
线在范围(硬线和软线)/Wire Range(rigid and flexible)(mm²/AWG)	0.2~10/24~8		
间距/Pitch(mm)	10.0		
剥线长度/Stripping Length(mm)	13~14		
使用温度范围/Operating temperature(°C)	-40~+105		
符合RoHS环保要求/Conform to RoHS	Yes		
标准颜色编号/Standard color number:	/		
PANTONE / RAL	/		
MATERIAL:	SURFACE: /		

MAT NO.:	/
STATUS:	/
APPD: LI GL 2020.05.29	NAME: DEGSON 宁波高松电子有限公司
CHKD: Mao J 2020.05.29	NINGBO DEGSON ELECTRICAL CO., LTD
DRT:Wang Y2 2020.05.29	DRAWING NO.: WS10-TW-PE-C01
SIZE: A4	TYPE: CUSTOMER DRAWING
SCALE: 1:1	SHEET 1/1

4	Ground Contact	Copper Alloy	Sn Plated
3	Current Carrier	Copper	Sn Plated
2	Spring	Stainless Steel	
1	Housing	PA66	UL94V-0

ITEM	NAME OF PART	MATERIAL	NOTES	REV	ECN	DESCRIPTION	DRT	DATE
1								