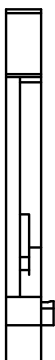
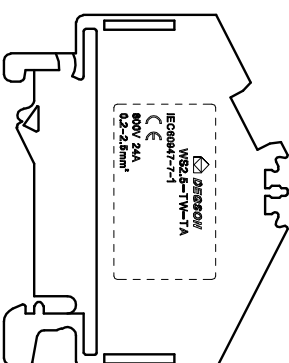
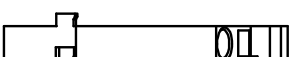
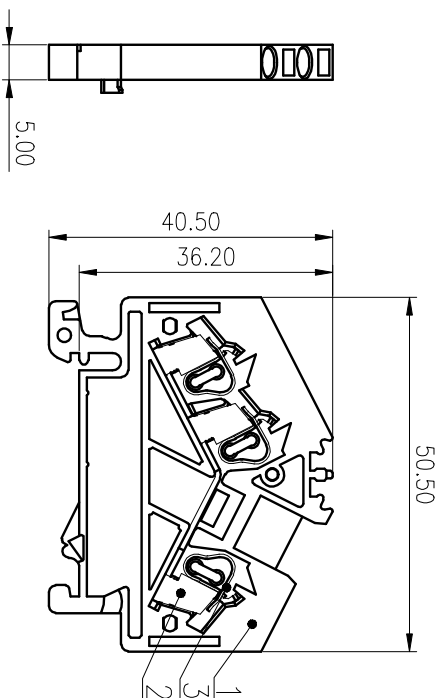
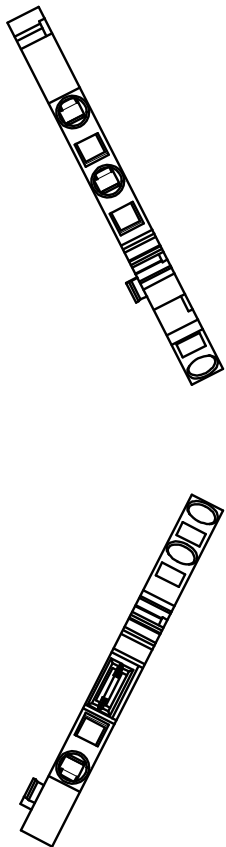


公差等级/General Tolerances(mm)		公差等级/General Tolerances(mm)										公差等级/General Tolerances(mm)		
0	>3	>6	>10	>18	>30	>50	>80	>120	>180	>280	>315	>400	>500	0.1/1/10
~	~	~	~	~	~	~	~	~	~	~	~	~	~	±Z
±0.12 ±0.18 ±0.22 ±0.26 ±0.31 ±0.37 ±0.57 ±0.80 ±0.93 ±1.05 ±1.15 ±1.60 ±2.20 ±2.50													±Z	



ITEM	NAME OF PART	MATERIAL	NOTES
3	Spring	Stainless steel	
2	Current Carrier	Copper	Sn Plated
1	Housing	PA66	UL94V-0

REV	ECN	DESCRIPTION	DRAFT	DATE
1				
2				
3				

UL 标准/UL Standard:	B	C	D
额定电压/电涌/Rated Voltage(V)/Current(A)	600/15	/	/
IEC 标准/IEC Standard:			
过压类别/Overvoltage Category/污秽等级/Pollution Degree	III/3	/	/
额定电压/电涌/Rated Voltage(V)/Current(A)	800/24	/	/
额定电涌电压(KV)/Rate Impulse Voltage(KV)	8.0	/	/
线径范围(硬线/软线)/Wire Range(rigid and flexible)(mm² /AWG)	0.2~2.5/28~12		
厚度/Pitch(mm)	5.00		
剥线长度/Stripping length(mm)	9		
使用温度范围/Operating Temperature(°C)	-40~+105		
符合RoHS要求/Conform to RoHS	Yes		
标准颜色编号/Standard color number:			
PANTONE / RAL	/		

UL 标准/UL Standard:	B	C	D
额定电压/电涌/Rated Voltage(V)/Current(A)	600/15	/	/
IEC 标准/IEC Standard:			
过压类别/Overvoltage Category/污秽等级/Pollution Degree	III/3	/	/
额定电压/电涌/Rated Voltage(V)/Current(A)	800/24	/	/
额定电涌电压(KV)/Rate Impulse Voltage(KV)	8.0	/	/
线径范围(硬线/软线)/Wire Range(rigid and flexible)(mm² /AWG)	0.2~2.5/28~12		
厚度/Pitch(mm)	5.00		
剥线长度/Stripping length(mm)	9		
使用温度范围/Operating Temperature(°C)	-40~+105		
符合RoHS要求/Conform to RoHS	Yes		
标准颜色编号/Standard color number:			
PANTONE / RAL	/		

MATERIAL: SURFACE:

MAT NO.: /  
 STATUS: /  
 APPD: LIGL 2020.05.27  
 CHKD: MaoJ 2020.05.27  
 DRAFT:ZhengQG 2020.05.27

NAME: **DEGSON® NINGBO DEGSON ELECTRICAL CO., LTD**  
**WS2.5-TW-TA-01P-1Y-00A(H)**  
 DRAWING NO.: WS2.5-TW-TA-C01  
 TYPE: CUSTOMER DRAWING  
 SCALE: 1:1  
 SHEET 1/1