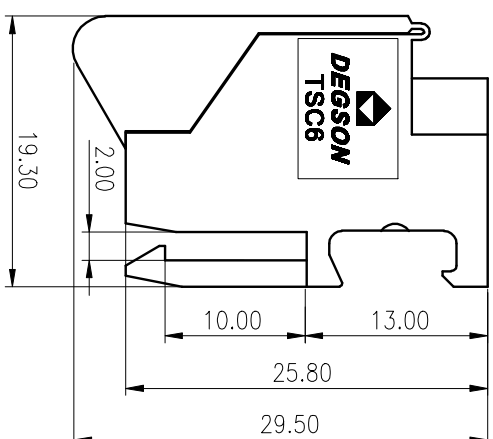
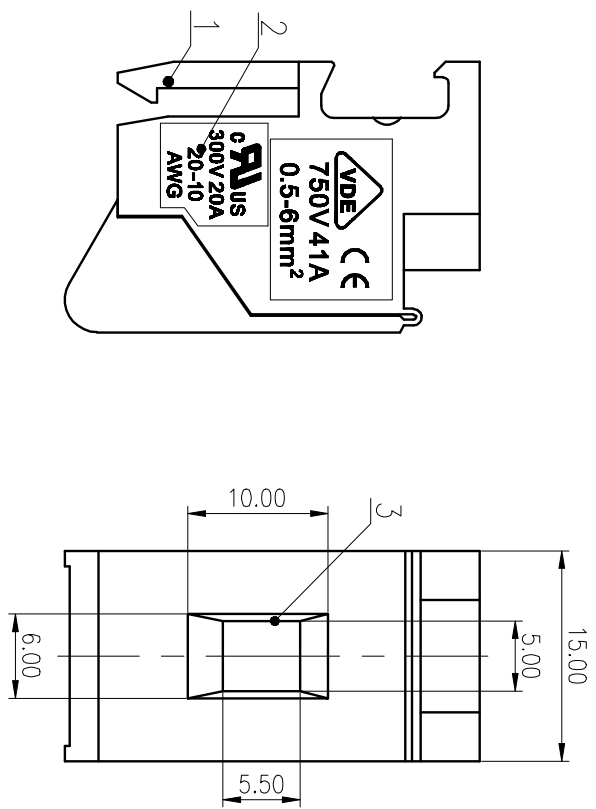
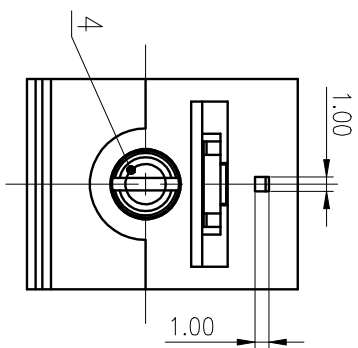


公差等级/General	tolerance(mm)	0	>3	>6	>10	>18	>30	>50	>80	>120	>180	>280	>315	>400	>500	0.1/10
~	~	~	~	~	~	~	~	~	~	~	~	~	~	~	~	±Z
±0.12	±0.18	±0.22	±0.26	±0.31	±0.37	±0.57	±0.80	±0.93	±1.05	±1.15	±1.60	±2.20	±2.50			



ITEM	NAME OF PART	MATERIAL	NOTES
4	Screw	Steel	M4/Zn Plated
3	Cage	Copper alloy	M4/Ni Plated
2	Pin header	Copper	Sn Plated
1	Housing	PA66	UL94V-0

UL 标准 /UL Standard:	B	C	D
额定电压/电涌/Rated Voltage(V)/Current(A)	300	20	300/20
IEC 标准 /IEC Standard:	/		
过压类别/Overvoltage Category/污秽等级/Pollution Degree	III/2		
额定电压/电涌/Rated Voltage(V)/Current(A)	750/41		
工频耐压/Withstanding voltage	AC2500V/1Min		
螺栓扭矩/Torque Tightening(N·m/Lb·in)	M4: 1.2/10.62		
线径范围(硬线和软线)/Wire Range(rigid and flexible)(mm²/AWG)	0.5~6/20~10		
引线长度/Stripping length(mm)	10~12		
使用温度范围/Operating Temperature(°C)	-40~+105		
符合RoHS环保要求/Conform to RoHS	Yes		
标准颜色编号/Standard color number: RAL	RAL 2000		

MATERIAL: / SURFACE: /

MAT NO.: /  
 STATUS: /  
 APPD: /  
 NAME: **DEGSON® NINGBO DEGSON ELECTRICAL CO., LTD**

CHKD: /  
 DRAFT: Cen/MZ 2020.05.19  
 DRAWING NO.: 2EDGK-5.08-C554  
 TYPE: CUSTOMER DRAWING  
 SCALE: 2:1  
 SHEET 1/1

REV	ECN	DESCRIPTION	DRAFT	DATE	SIZE: A4	SCALE: 2:1	REV	T0