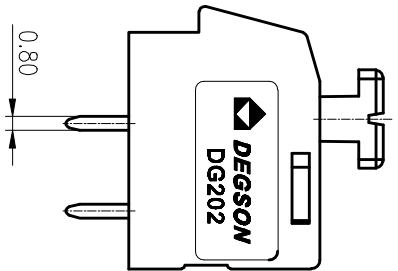
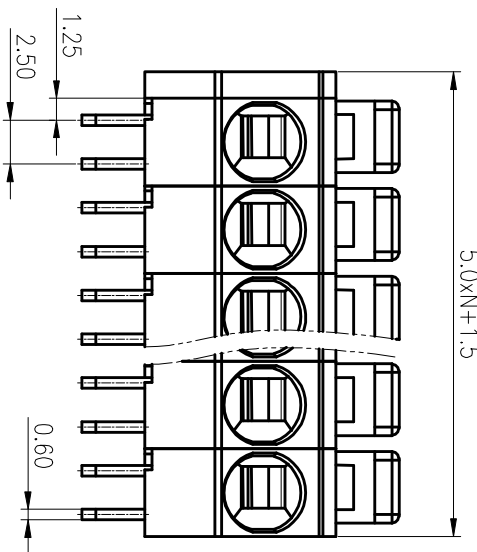
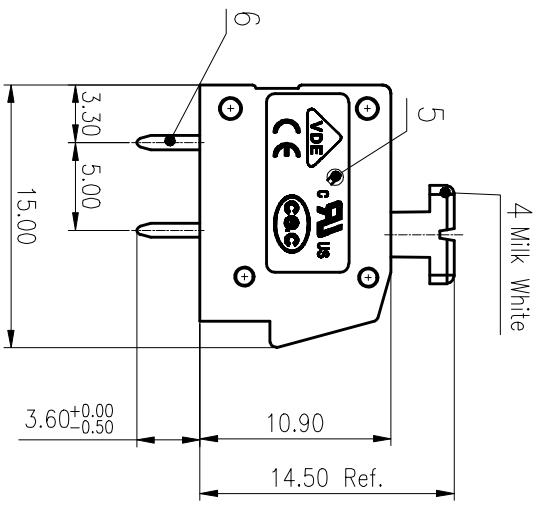
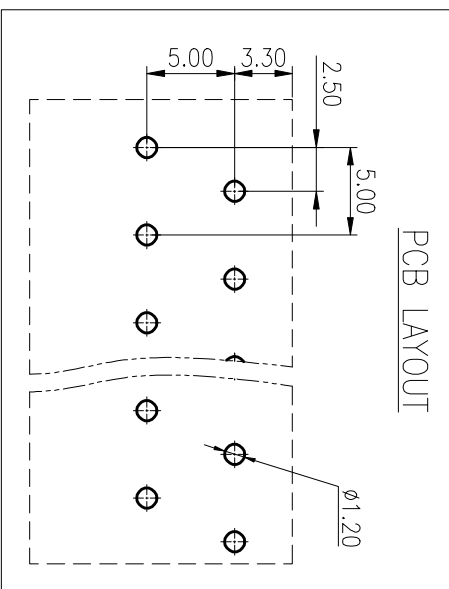
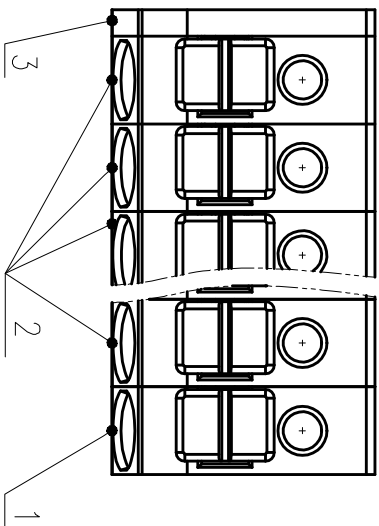


精度等级/General	Tolerances(mm)										公差		
0	>.3	>.6	>.10	>.18	>.30	>.50	>.80	>.120	>.180	>.250	>.315	>.400	0.1/10
~	~	~	~	~	~	~	~	~	~	~	~	~	
3	6	10	18	30	50	80	120	180	250	315	400	500	±Z
±0.12	±0.18	±0.22	±0.26	±0.31	±0.37	±0.57	±0.80	±0.93	±1.05	±1.15	±1.60	±2.20	



ITEM	NAME OF PART	MATERIAL	NOTES
6	Pin header	Copper	
5	Spring	Stainless steel	
4	Button	PA66	UL94V-0
3	Cover	PA66	UL94V-0
2	Center Housing	PA66	UL94V-0
1	Left Housing	PA66	UL94V-0

UL 标准	UL Standard:	B	C	D
额定电压/电涌/Rated Voltage(V)/Current(A)	300/12	/	300/10	
IEC 标准/IEC Standard:				
额定电压/电涌/Rated Voltage(V)/Current(A)	III/3	III/2	II/2	
工频耐压/Withstanding Voltage (V)/min	/	450/16	/	
线径范围(硬线和软线)/Wire Range(rigid and flexible)(mm ² /AWG)	0.2~2.5/20~12			
间距/Pitch(mm)/Lead Distance/Poles	5.0/N=02~24P			
剥线长度/Stripping length(mm)	10~11			
使用温度范围/Operating temperature(°C)	-40~+105			
符合RoHS标准/Conform to RoHS	Yes			

MATERIAL: /
SURFACE: /

MAT NO.: /
STATUS: /
APPD: LIGL 2020.05.27
CHKD: Mek 2020.05.27
NAME: **DEGSON® NINGBO DEGSON ELECTRICAL CO., LTD**

DRAWING NO.: DG202-5.0-C01
TYPE: CUSTOMER DRAWING
SCALE: 2.5:1 SHEET 1/1

DRAFT: LuoXM 2020.05.27
SIZE: A4
REV: T7

REV	ECN	DESCRIPTION	DRAFT	DATE

