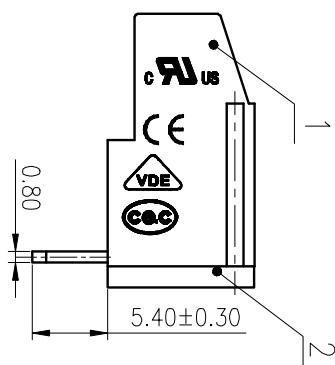
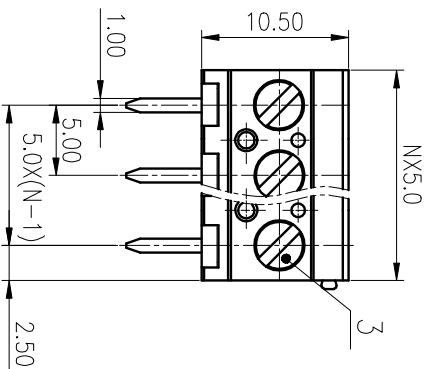
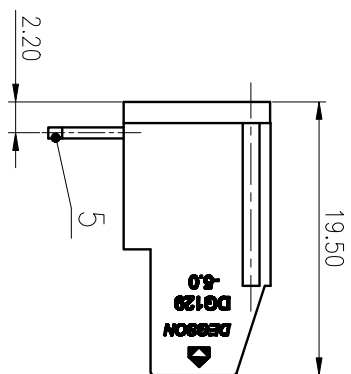
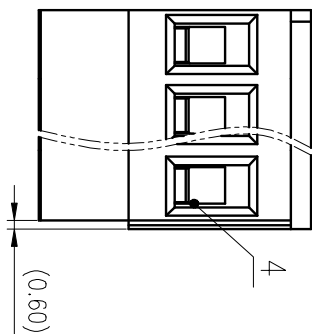
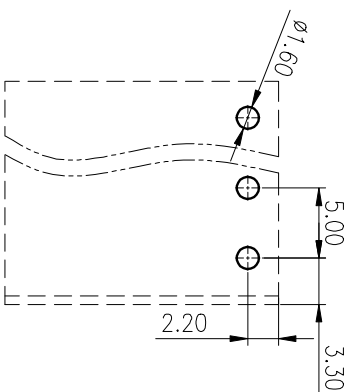


公差等级/General Tolerances(mm)		5										6		
0	>3	>6	>10	>18	>30	>50	>80	>120	>180	>280	>315	>400	>500	0.1/10
~	~	~	~	~	~	~	~	~	~	~	~	~	~	±Z
±0.12	±0.18	±0.22	±0.26	±0.31	±0.37	±0.57	±0.80	±0.93	±1.05	±1.15	±1.60	±2.20	±2.50	±Z



ITEM	NAME OF PART	MATERIAL	NOTES
1	Housing	PA66	UL94V-0
2	Cover	PA66	UL94V-0
3	Screw	Steel	M3/Zn plated
4	Cage	Copper alloy	M3/Ni plated
5	Pin header	Copper alloy	Sn plated

PCB LAYOUT



REV	ECN	DESCRIPTION	DRAFT	DATE	SIZE: A4	TYPE: CUSTOMER DRAWING	SCALE: 2:1	REV	T0
1									
2									
3									
4									
5									
6									

MATERIAL:	/	SURFACE:	/
MAT NO.:	/	NINGBO DEGSON ELECTRICAL CO., LTD	
STATUS:	/	NAME: DG129R-5.0-XXP-1Y-00A(H)	
APPD:	LanChH 2020.05.15	DRAWING NO.: 10001987	
CHKD:	YUJZ 2020.05.15	TYPE: CUSTOMER DRAWING	
DRT:	ChenZh 2020.05.15	SCALE: 2:1	
		SHEET 1/1	