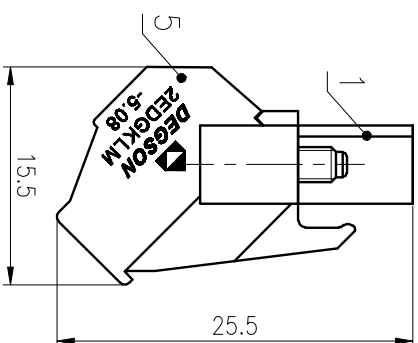
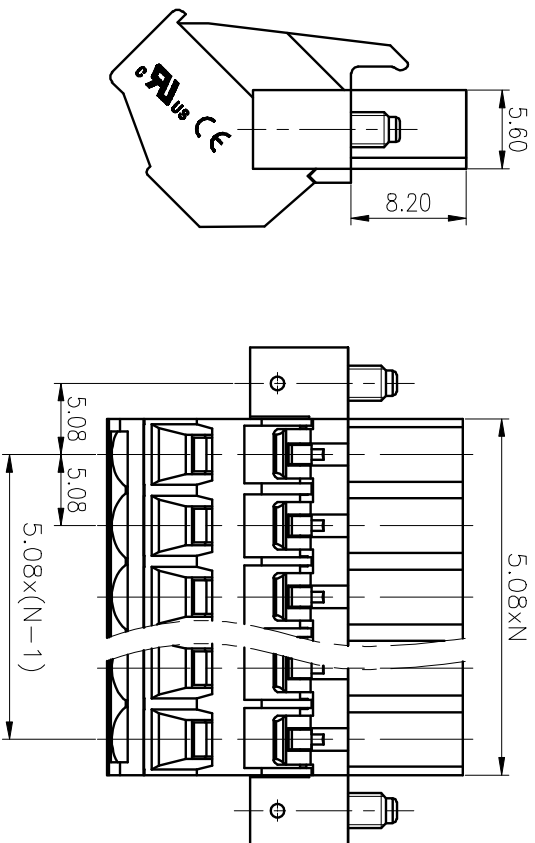
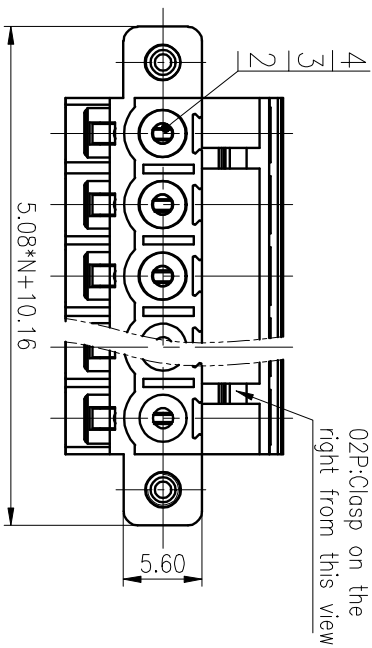


公差等级/General Tolerances(mm)	0	>3	>6	>10	>18	>30	>50	>80	>120	>180	>250	>315	>400	>500	0.1/10
~	~	~	~	~	~	~	~	~	~	~	~	~	~	~	±Z
±0.12	±0.18	±0.22	±0.26	±0.31	±0.37	±0.57	±0.80	±1.05	±1.15	±1.60	±2.20	±2.50	±2.50	±Z	



5	Cover	PA66	UL94V-0
4	Screws	Steel	M2.5/Zn plated
3	Cage	Copper alloy	Ni plated
2	Clamp	Copper alloy	Sn plated
1	Housing	PA66	UL94V-0

UL 标准/UL Standard:	B	C	D
额定电压/电涌/Rated Voltage(V)/Current(A)	300/10	/	300/10
IEC 标准/IEC Standard:			
过压类别/Overvoltage Category/污染等级/Pollution Degree	III/3	III/2	II/2
额定电压/电涌/Rated Voltage(V)/Current(A)	/	250/12	/
额定冲击电压(kV)/Rate Impulse Voltage(kV)	/	4	/
额定扭矩/Torque Tightening(N·m/Lb·in)	M2.5, 0.4		
线径范围(硬线和软线)/Wire Range(rigid and flexible)(mm <sup>2</sup> /AWG)	2.5/24~12		
间距/Pitch(mm)/线数范围/Poles	5.08/N=2~22P		
剥线长度/Stripping length(mm)	9~10		
使用温度范围/Operating temperature(°C)	-40~+105		
符合RoHS标准/Conform to RoHS	Yes		

MATERIAL: /

SURFACE: /

MAT NO.: /  
 STATUS: /  
 APPD: LanQH 2020.06.06  
 CHKD: GongYh 2020.06.06

NAME: **DEGSON® NINGBO DEGSON ELECTRICAL CO., LTD**  
**2EDGKLM-5.08-XXP-1Y-00A(H)**

DRAWING NO.: 10002074

TYPE: CUSTOMER DRAWING SCALE: 2:1 SHEET 1/1

REV ECN DESCRIPTION DRFT DATE

REV	ECN	DESCRIPTION	DRFT	DATE
1				

SIZE: A4

mm

inch

TYPE: CUSTOMER DRAWING

SCALE: 2:1 SHEET 1/1

REV T0